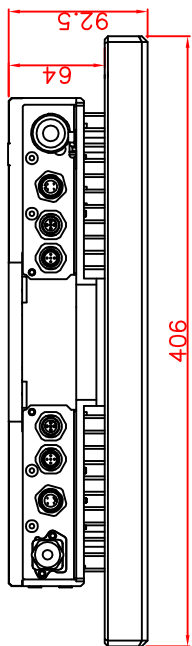


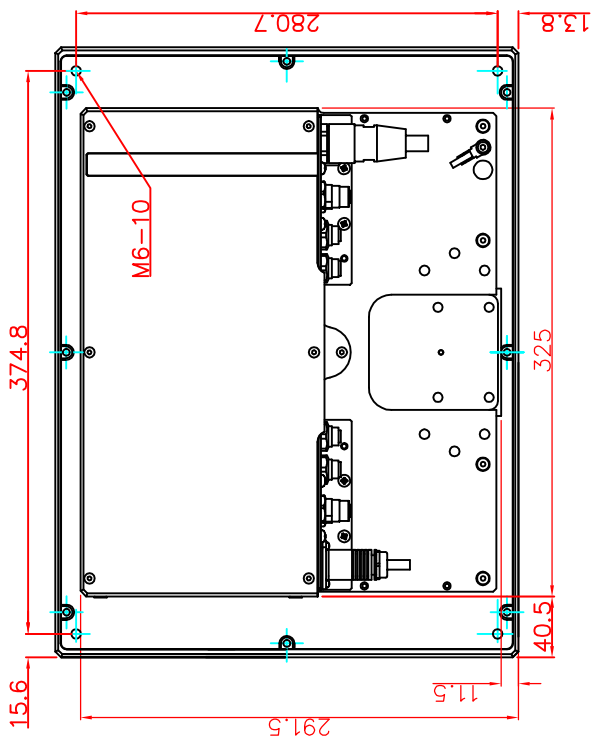
CP7221-0000-M164

main dimensions and fixing points

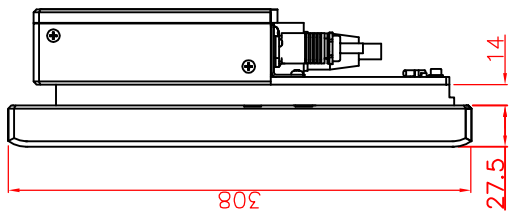
dimensions in mm



bottom view



rear view



right view

dimensions in mm