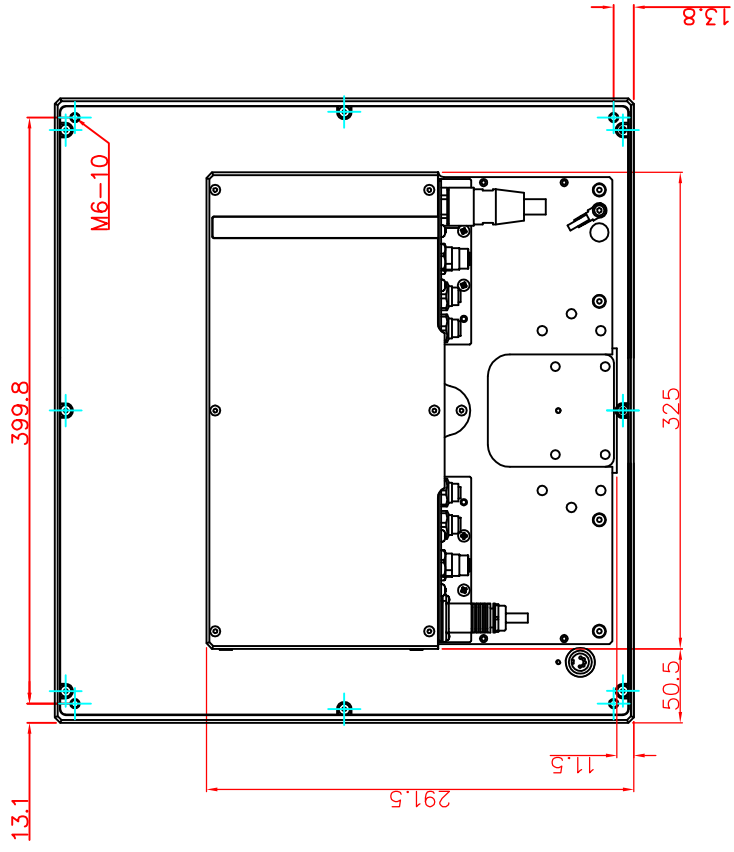
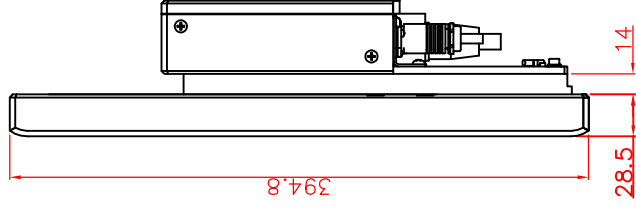


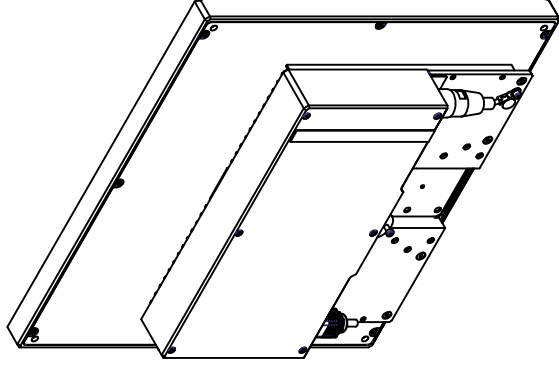
bottom view



rear view



right view



CP7212-0000-M164-E169

main dimensions and fixing points

dimensions in mm

dimensions in mm