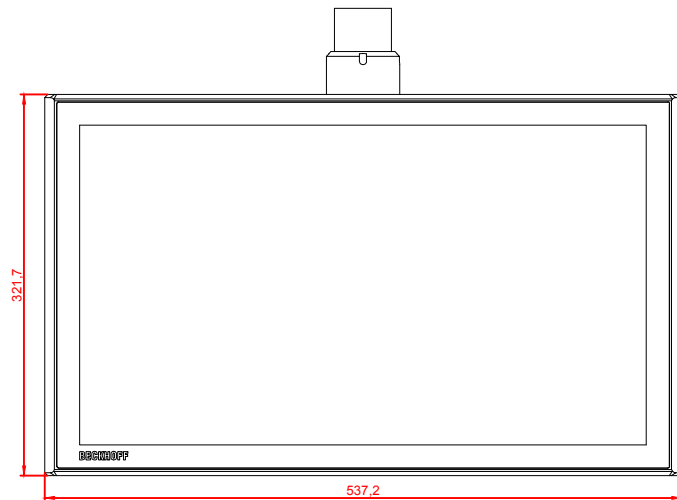


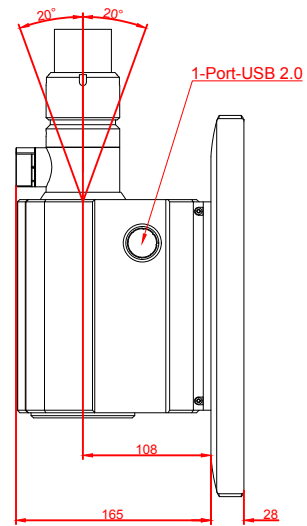
CP3221-E281

main dimensions and  
fixing points

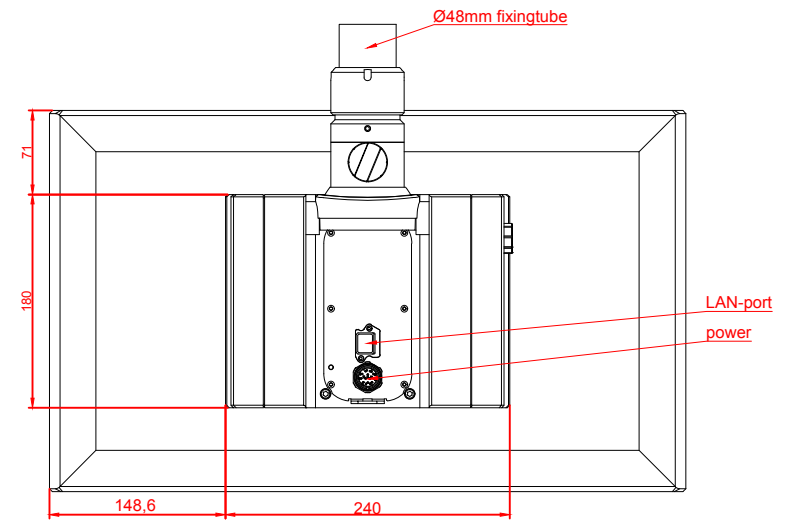
dimensions in mm



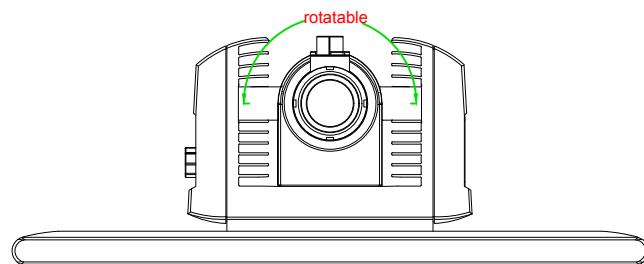
front view



left view



rear view



top view

