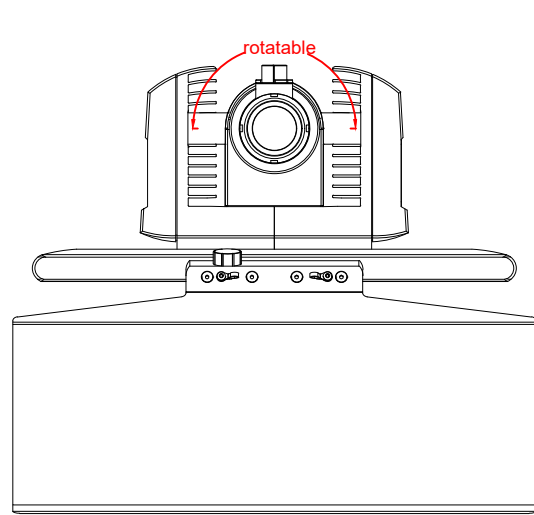


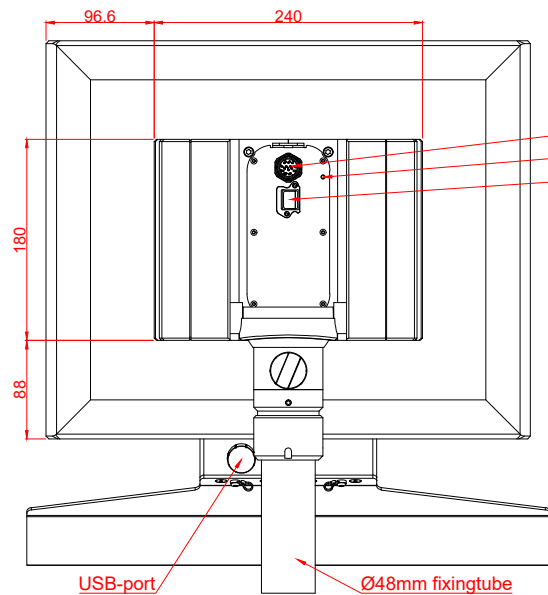
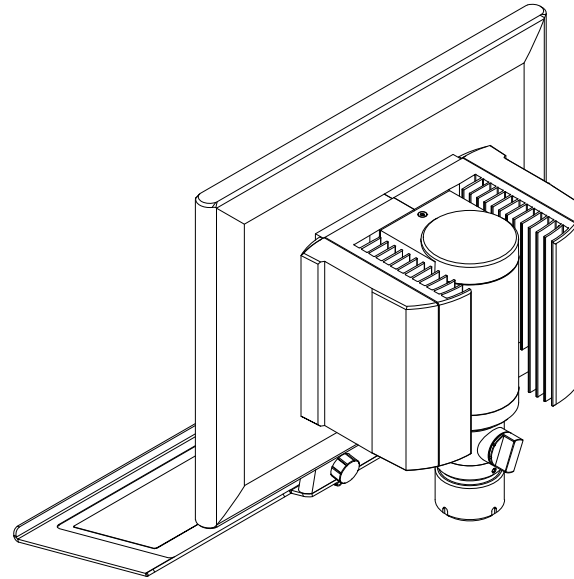
CP3219-M184-M406

main dimensions and  
fixing points

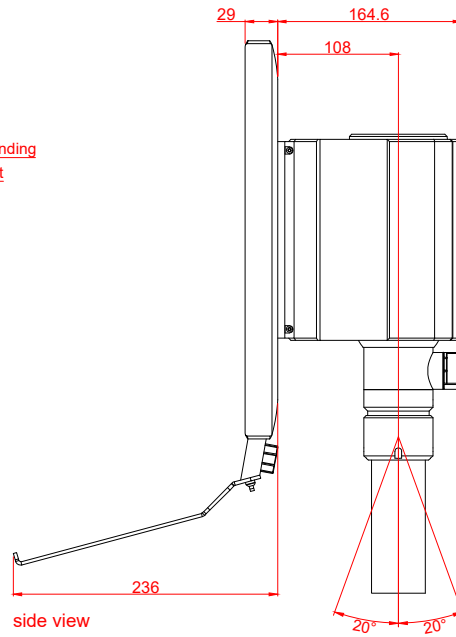
dimensions in mm



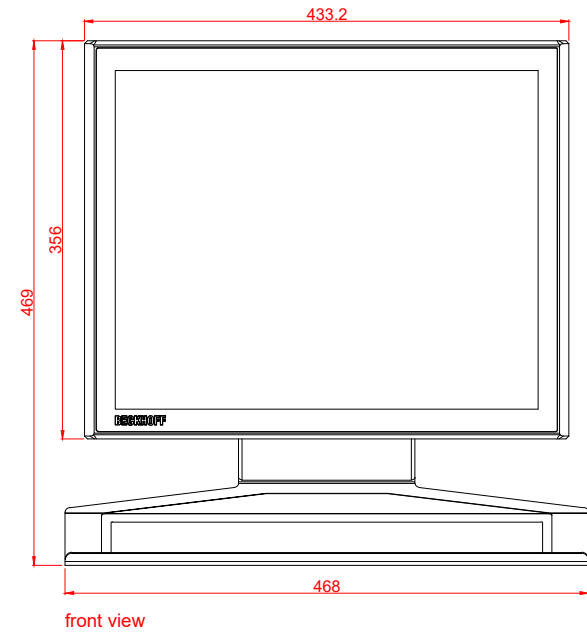
bottom view



rear view



side view



front view