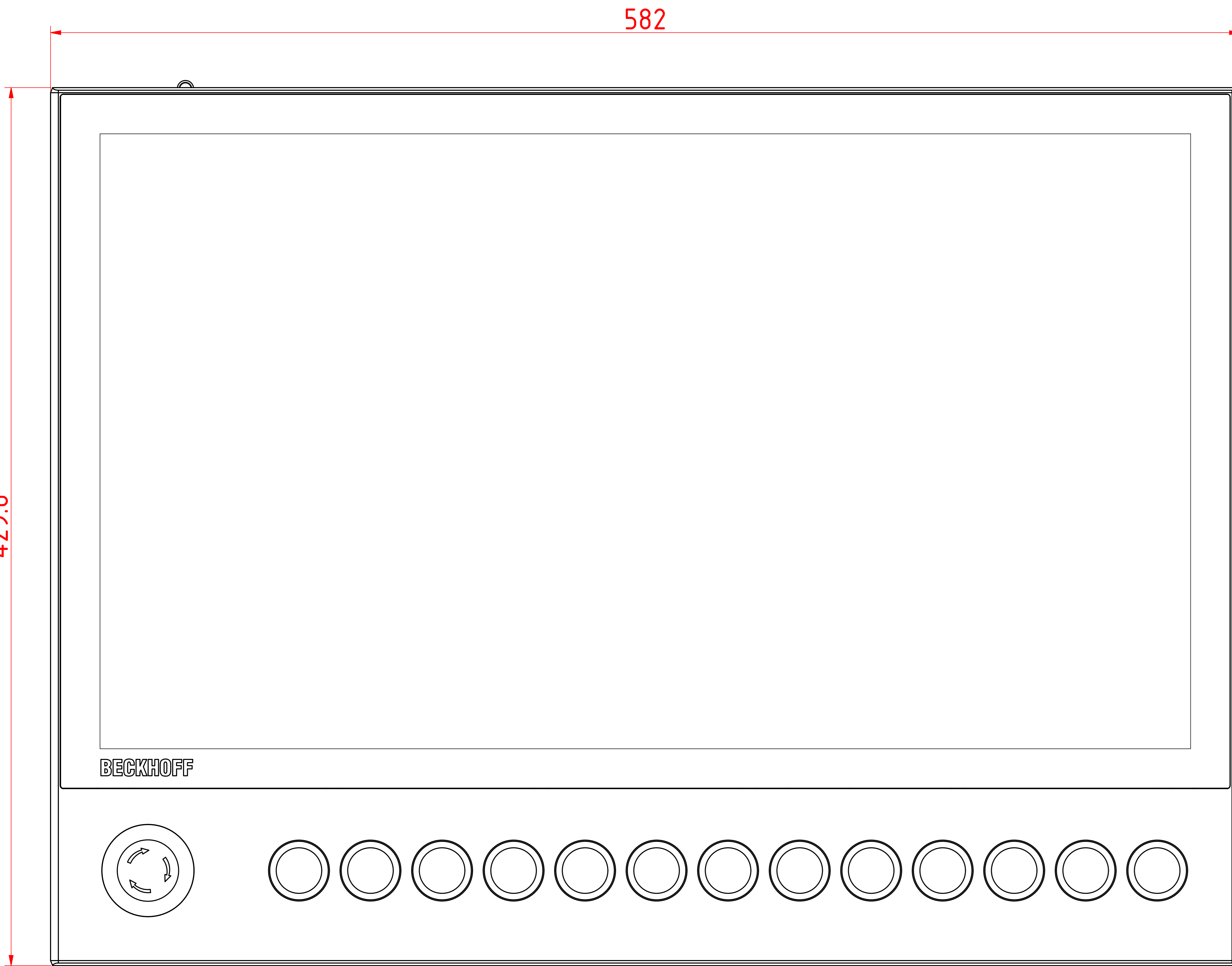
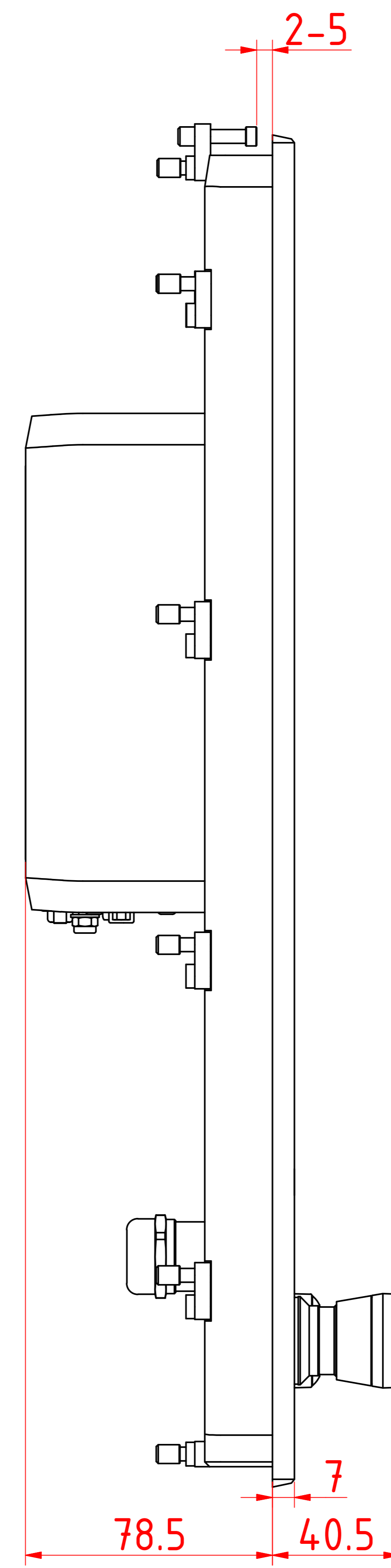
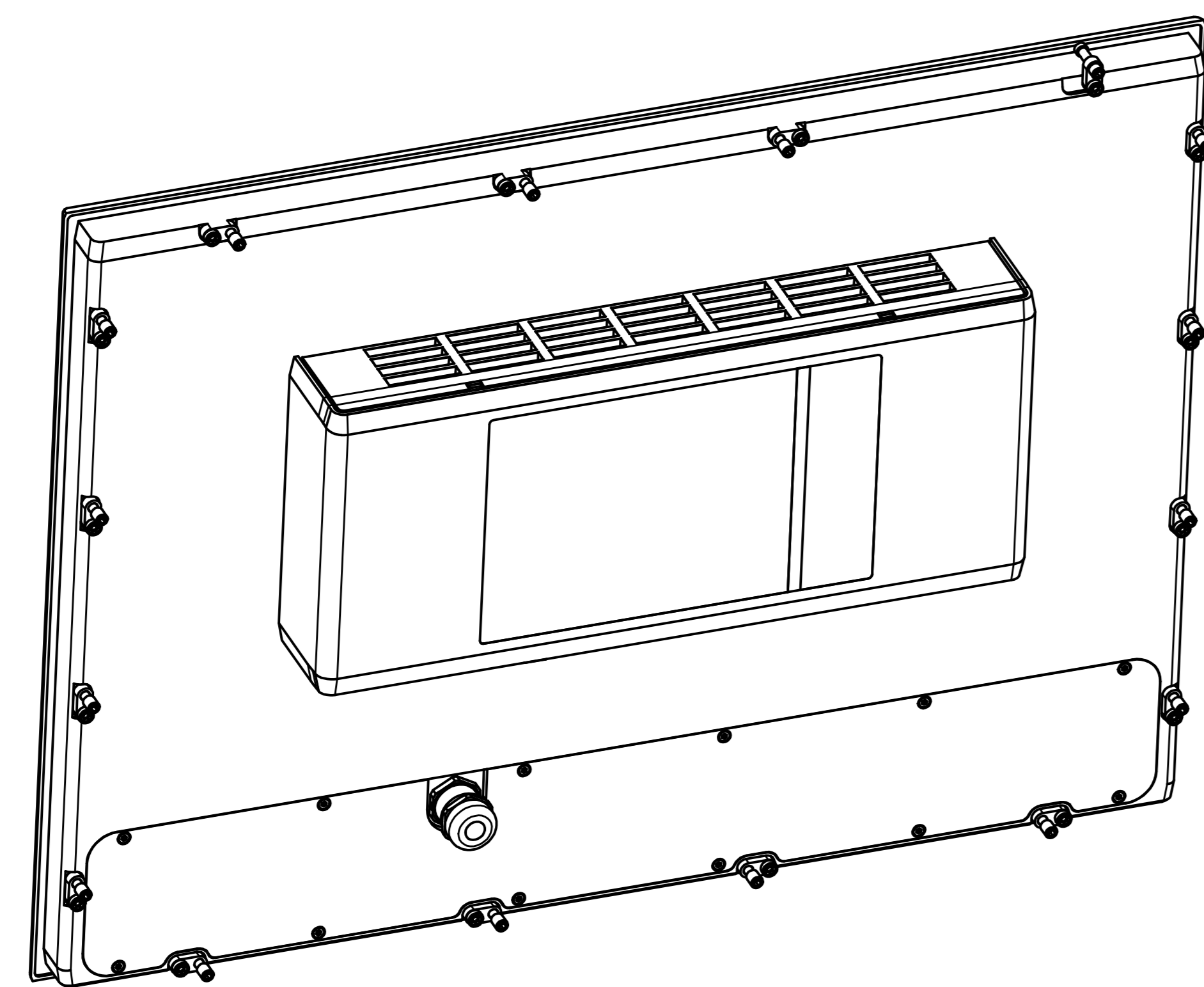


# CP2224-G007

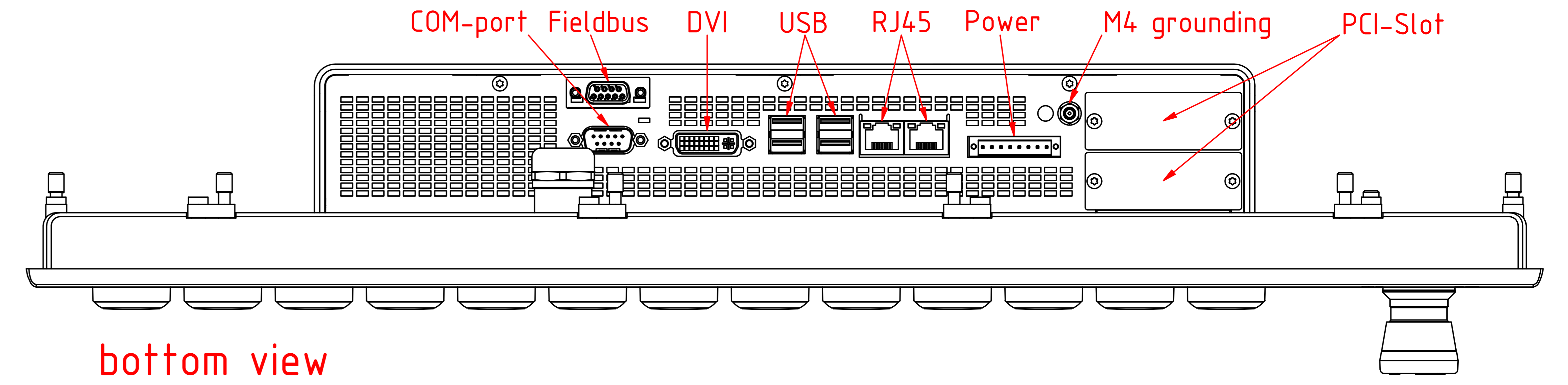
main dimensions and  
fixing points  
dimensions in mm



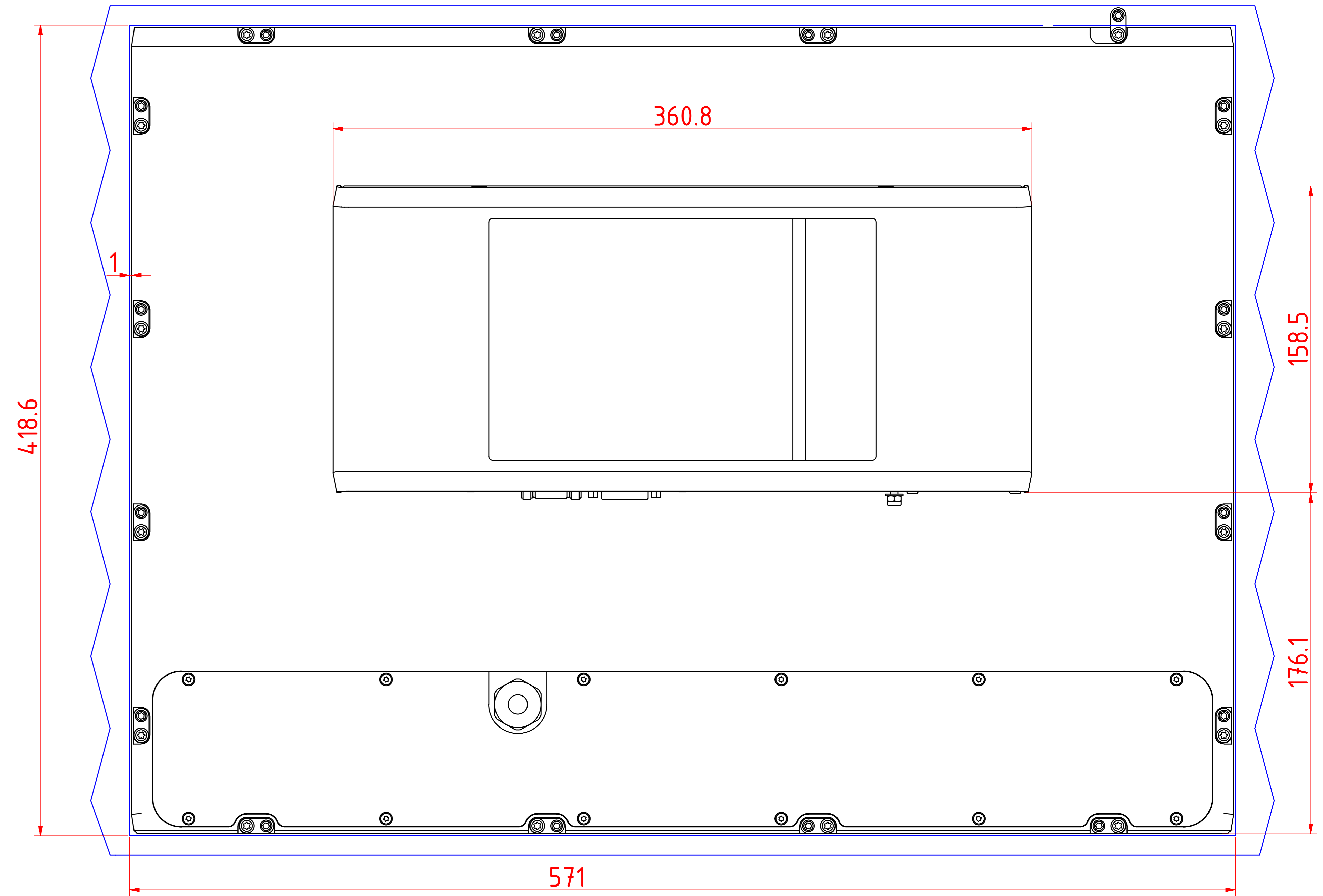
front view



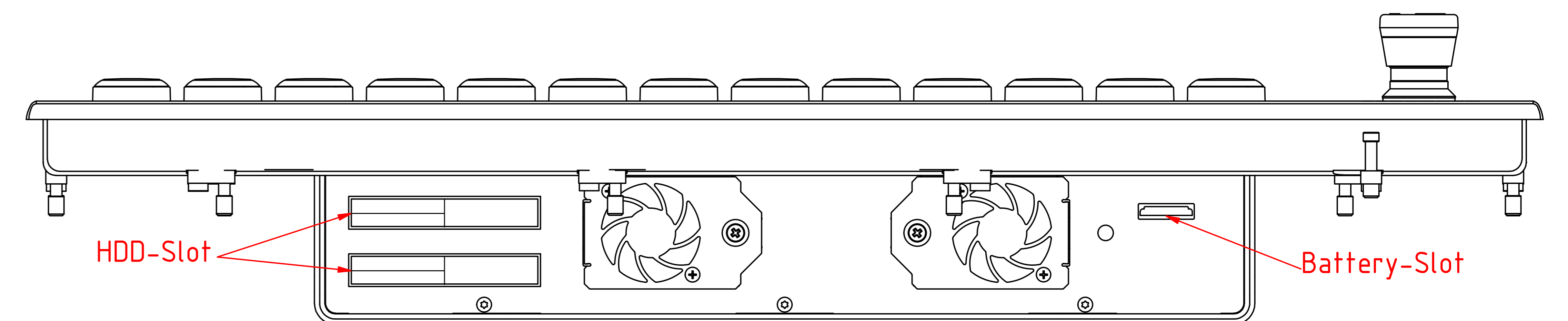
left view



bottom view



cut out dimensions: 418.6mm x 571mm  
rear view



top view