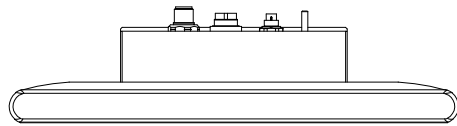


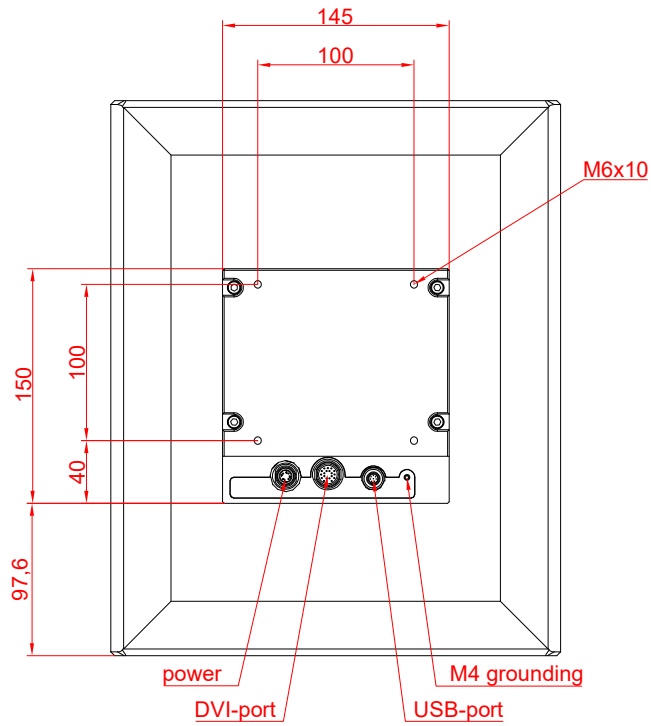
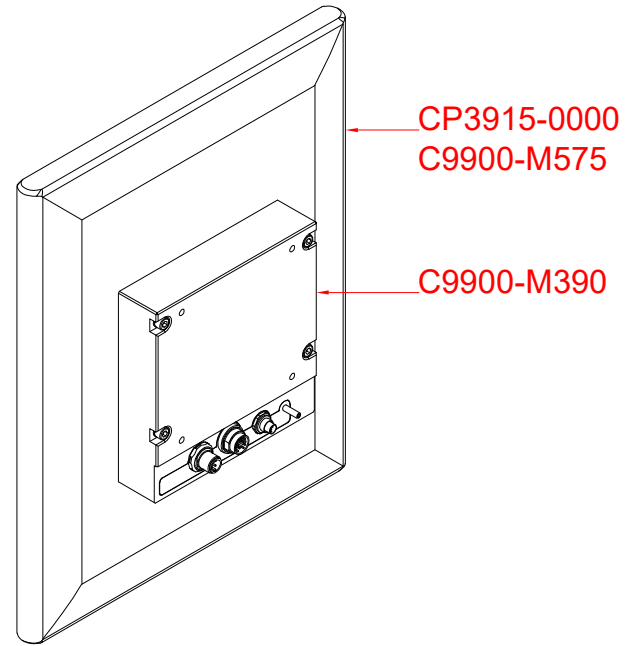
CP3915-0000  
with  
C9900-M575  
C9900-M390

main dimensions and  
fixing points

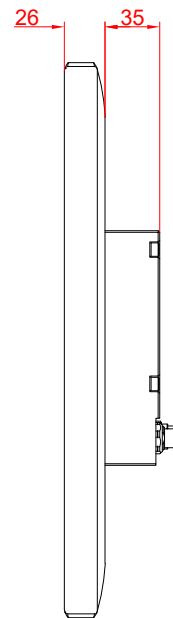
dimensions in mm



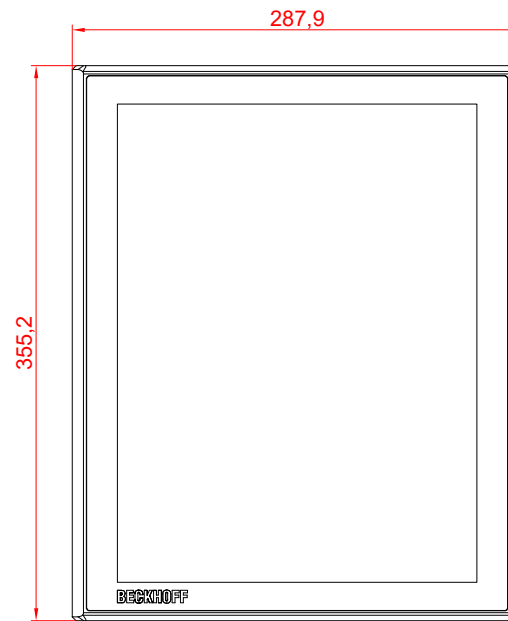
bottom view



rear view



side view



front view