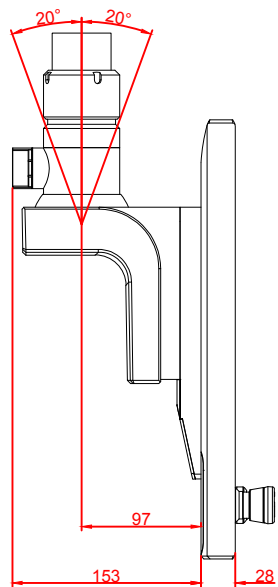
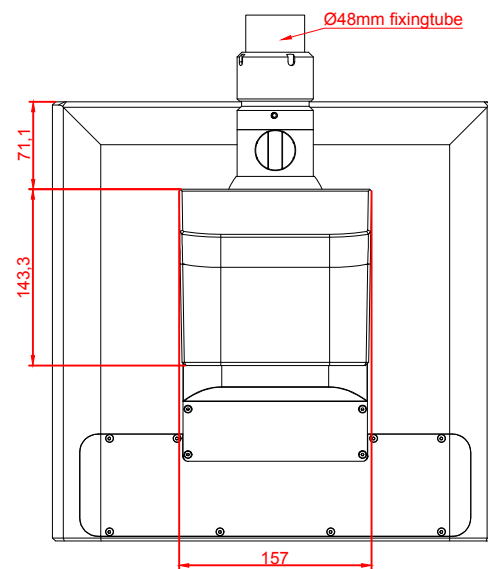


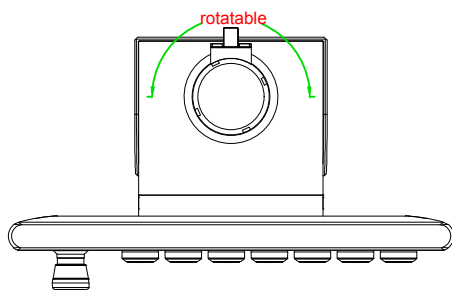
front view



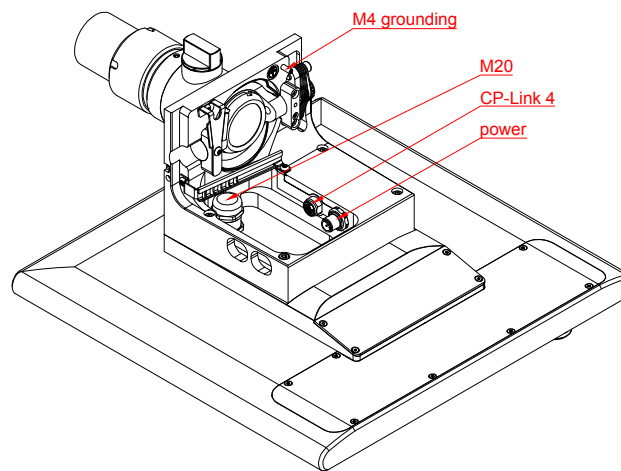
left view



rear view



top view



CP3915-G023-0010-M752

main dimensions and  
fixing points

dimensions in mm