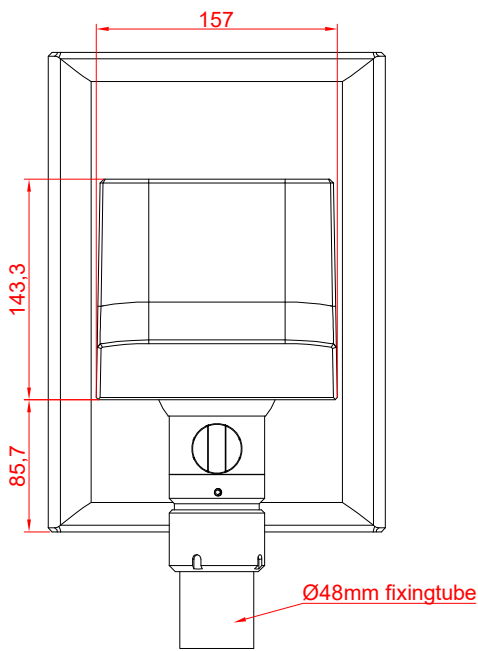
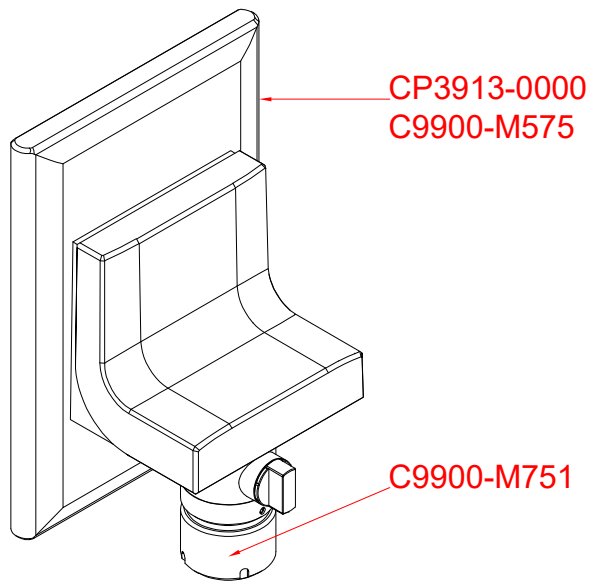
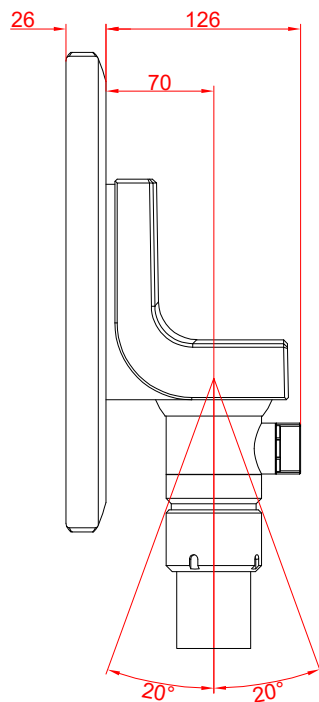


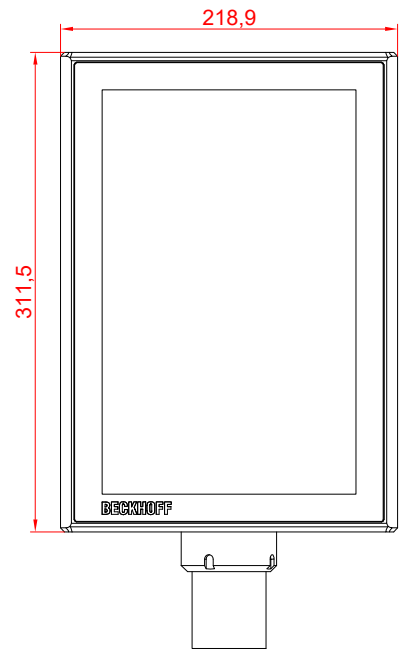
bottom view



rear view



side view



front view

CP3913-0000  
with  
C9900-M575  
C9900-M751

main dimensions and  
fixing points

dimensions in mm

