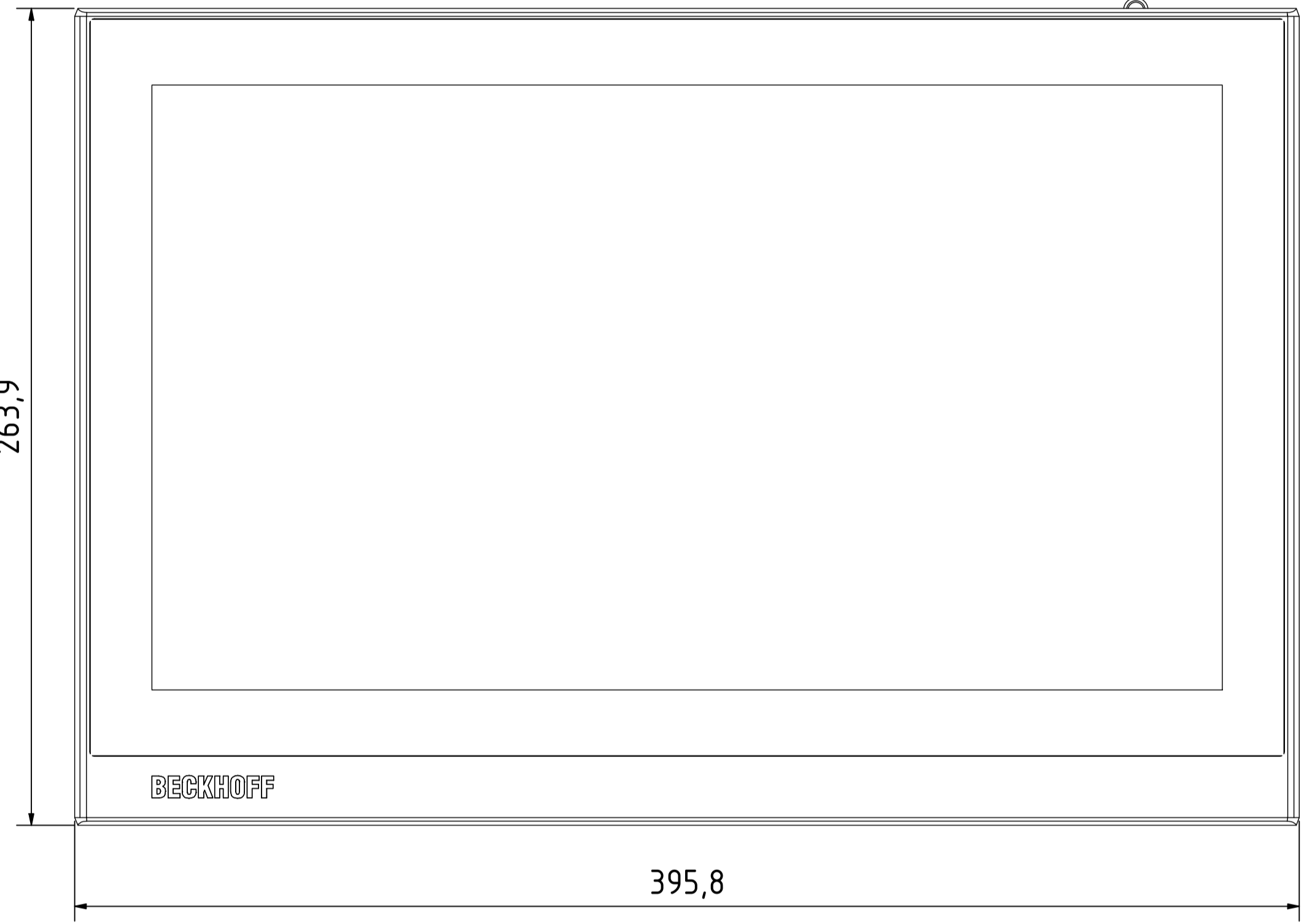


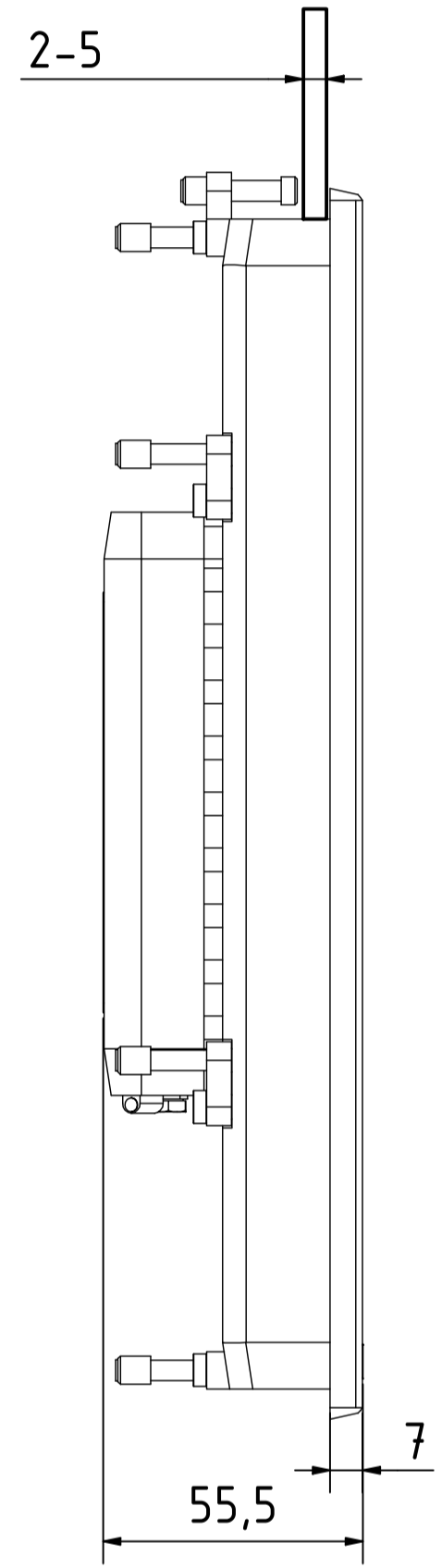
263,9



395,8

BECKHOFF

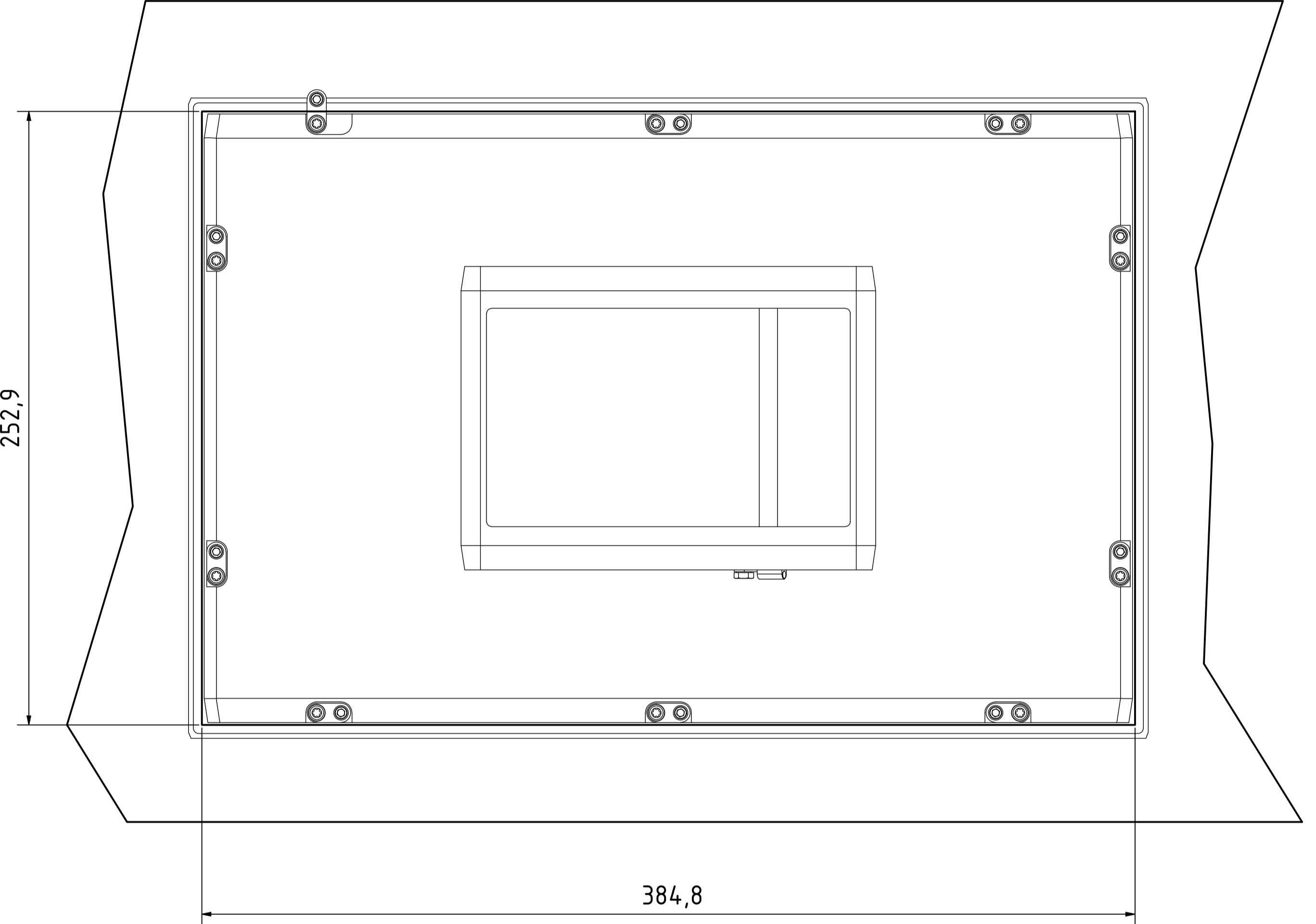
2-5



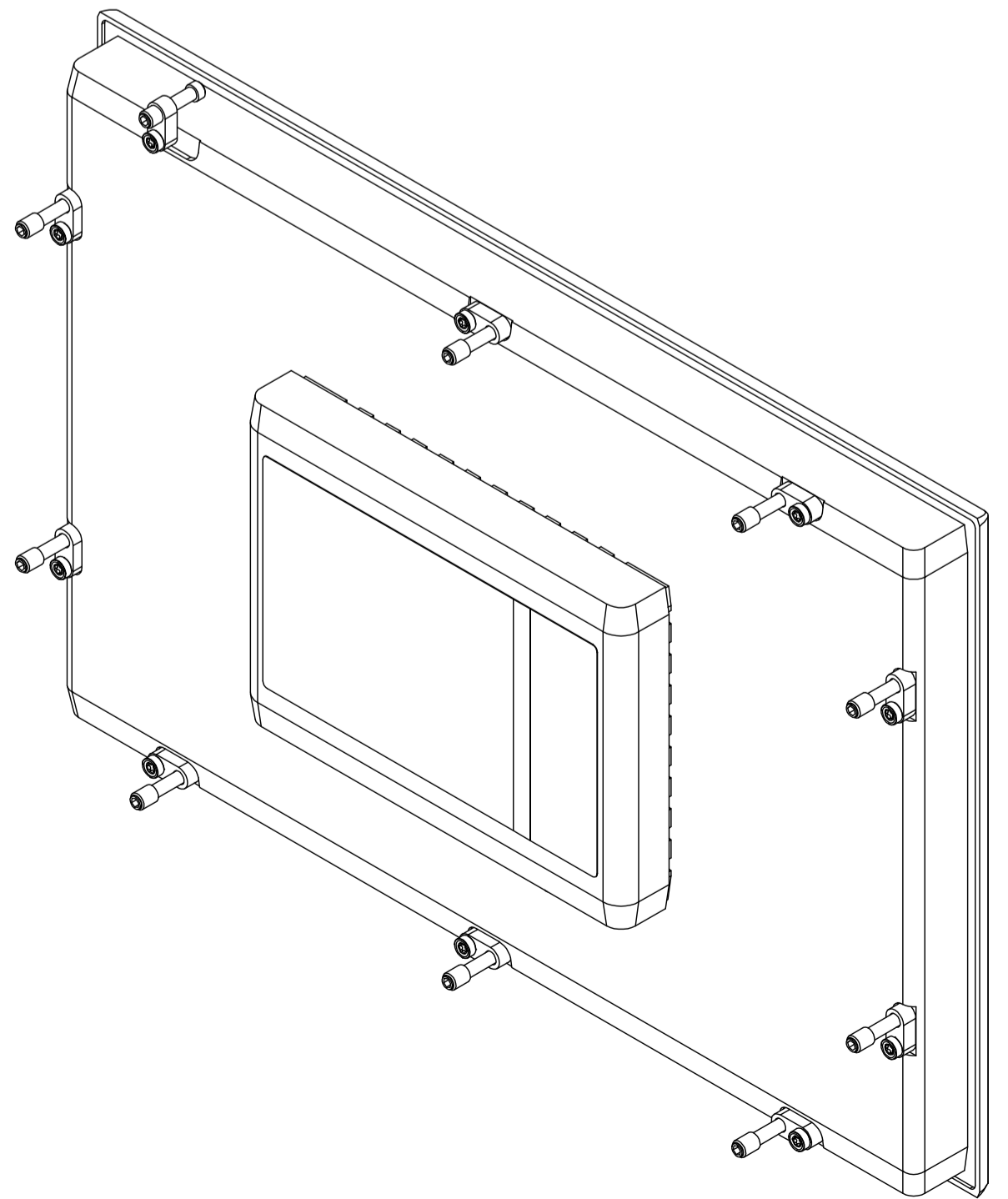
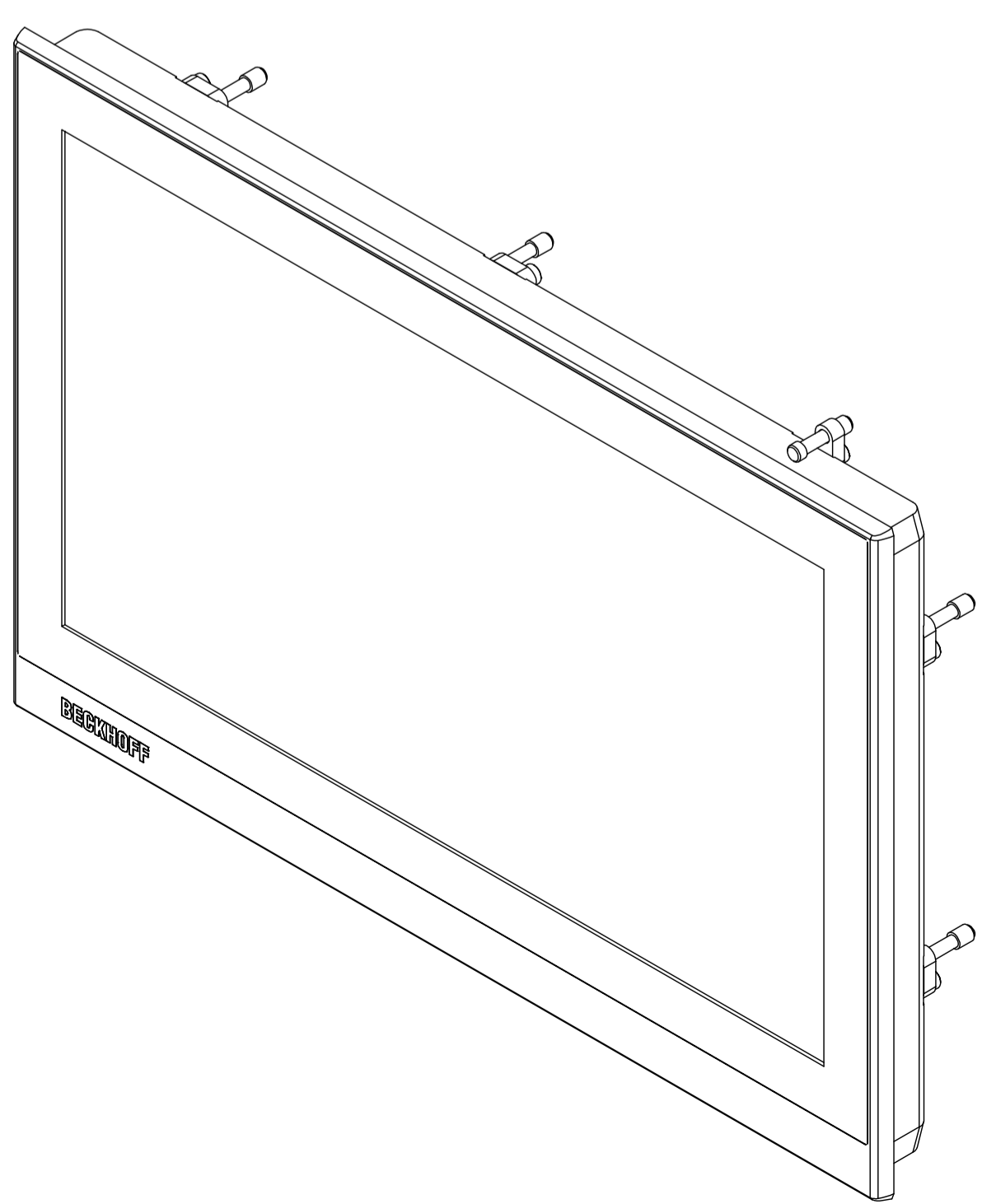
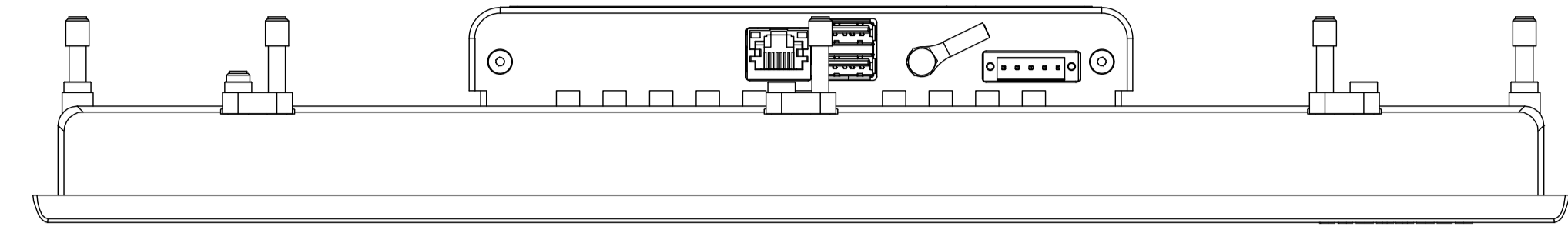
55,5

7

252,9



384,8



Copyright reserved to ISO 15001
 In accordance with the requirements of the ISO 15001 standard, Beckhoff Automation GmbH & Co. KG is certified for the design, development, production, and distribution of products and services. This certification applies to the design, development, production, and distribution of products and services. Beckhoff Automation GmbH & Co. KG is not responsible for the design, development, production, and distribution of products and services of other manufacturers, especially competitors.

Bezeichnung / description
 Multi-touch-Einbau-Control-Panel
 CP2916-0010

| | |
|---|---------------------------------------|
| Bezeichnung / description | Abteilungskennzeichen / department ID |
| Multi-touch-Einbau-Control-Panel | IPC |
| CP2916-0010 | Dokumentnummer / document number |
| | 0000004723 |
| ISO 128 | Revision |
| Maßstab / scale | 1 : 1,5 |
| Blattgröße / sheet size | A1 |
| Blatt / sheet | 1 / 1 |
| Maßeinheit / dimension | mm |
| Projektbezeichnung / project name | |
| Datum / date | 14.08.2023 |

BECKHOFF