



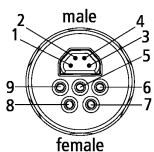
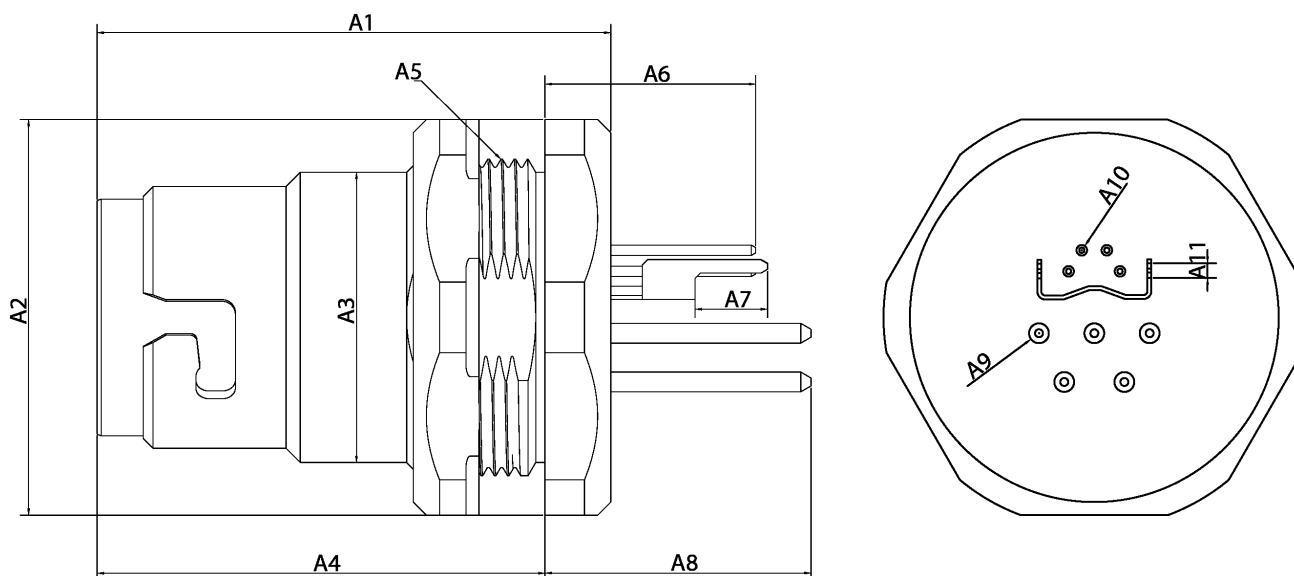
## ZS7200-P004 | Flange, PCB, EtherCAT/Ethernet, IP 65/67, shielded, 20.2 mm/20.2 mm

B17, flange rear assembly with print contacts, straight, long, female+male, pins 4+PE+4, EtherCAT-coded

| Electrical data                   |                                                                     |
|-----------------------------------|---------------------------------------------------------------------|
| Rated voltage (Ethernet)          | 60 V DC                                                             |
| Rated current (Ethernet)          | 4 A at 40 °C                                                        |
| Rated voltage (power)             | 630 V AC / 850 V DC, 600V AC / DC (UL)                              |
| Rated current (power)             | 15.5 A at 45 °C                                                     |
| Rated current (power)             | 15.5 A                                                              |
| Rated impulse voltage (power)     | 6.0 kV                                                              |
| Rated impulse voltage (Ethernet)  | 1.0 kV                                                              |
| Voltage proof (contact/contact)   | 1.5 kV (power - Ethernet), 3.31 kV AC (power), 1.0 kV AC (Ethernet) |
| Shielding (Ethernet)              | yes                                                                 |
| Contact resistance                | < 10 mΩ (signal), < 5 mΩ (power)                                    |
| Insulation resistance             | ≥ 100 MΩ (according to IEC 60512)                                   |
| Mechanical data                   |                                                                     |
| Installation size                 | B17                                                                 |
| Connector type                    | flange rear assembly with print contacts                            |
| Configuration                     | straight, long                                                      |
| Contact type                      | female+male                                                         |
| Number of positions (face)        | pins 4+PE+4                                                         |
| Coding                            | EtherCAT-coded                                                      |
| Mechanical coding                 | key 1 (2 x 24 V DC + PE)                                            |
| Mating cycles                     | ≥ 100                                                               |
| Way of locking                    | bayonet                                                             |
| Weight per piece                  | 0.170 kg (0.375 lb)                                                 |
| Flange housing material           | GD-Zn, Ni                                                           |
| Seal                              | NBR, FPM                                                            |
| Contact carrier material          | PA 6, UL 94 V0                                                      |
| Contact carrier colour (Ethernet) | yellow                                                              |
| Contact carrier colour (power)    | red                                                                 |
| Contact plating                   | Au over Ni                                                          |
| Contact material                  | copper alloy                                                        |
| Environmental data                |                                                                     |

|                                 |                                                                                                               |
|---------------------------------|---------------------------------------------------------------------------------------------------------------|
| Shock resistance                | 50 g (490 m/s <sup>2</sup> ) conforms to IEC 60512-6c, 11 ms; 18 shocks per direction, 3 axes                 |
| Vibration resistance            | 5 g (50 m/s <sup>2</sup> ) conforms to IEC 60512-6d, 10 Hz ... 500 Hz.; 10 cycles per axis; 6 h full duration |
| RoHS compliant                  | yes                                                                                                           |
| Ambient temperature (operation) | -30...+80 °C, -22...+176 °F                                                                                   |
| Protection class                | IP 65/67 in screwed condition (according to IEC 60529)                                                        |
| Pollution level                 | 3/2 (according to IEC 60664-1)                                                                                |
| Approvals                       | UL 2237: File E484763                                                                                         |

## Dimensions

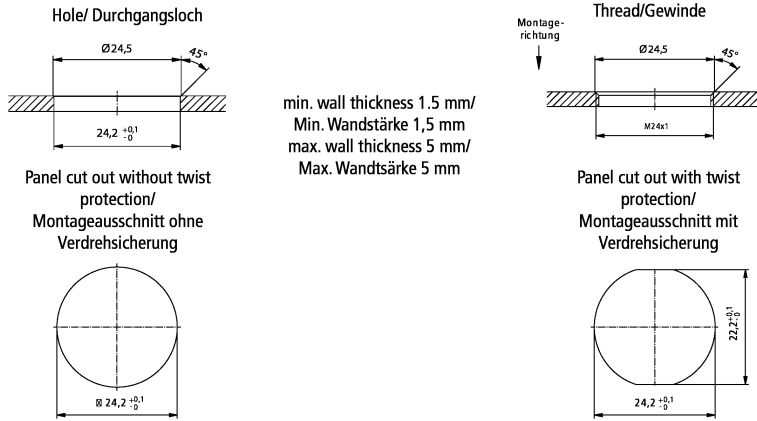


|     |          |
|-----|----------|
| A1  | 42.00 mm |
| A2  | 30.40 mm |
| A3  | 22.00 mm |
| A4  | 34.00 mm |
| A5  | M24      |
| A6  | 20.20 mm |
| A7  | 5,50 mm  |
| A8  | 20.20 mm |
| A9  | 1.50 mm  |
| A10 | 0.80 mm  |
| A11 | 1.11 mm  |

## Notes

- Illustrations similar

## Installation dimensions



## Ordering information

ZS7200-P004

B17, flange, shielded, long, straight, female+male, 5+4-pin, EtherCAT-coded, IP 65/67, Ø 20.2 mm/20.2 mm

Beckhoff®, TwinCAT®, EtherCAT®, EtherCAT G®, EtherCAT G10®, EtherCAT P®, Safety over EtherCAT®, TwinSAFE®, XFC®, XTS® and XPlanar® are registered trademarks of and licensed by Beckhoff Automation GmbH. Other designations used in this publication may be trademarks whose use by third parties for their own purposes could violate the rights of the owners.

© Beckhoff Automation GmbH & Co. KG 02/2021

The information provided in this brochure contains merely general descriptions or characteristics of performance which in case of actual application do not always apply as described or which may change as a result of further development of the products. An obligation to provide the respective characteristics shall only exist if expressly agreed in the terms of contract.