



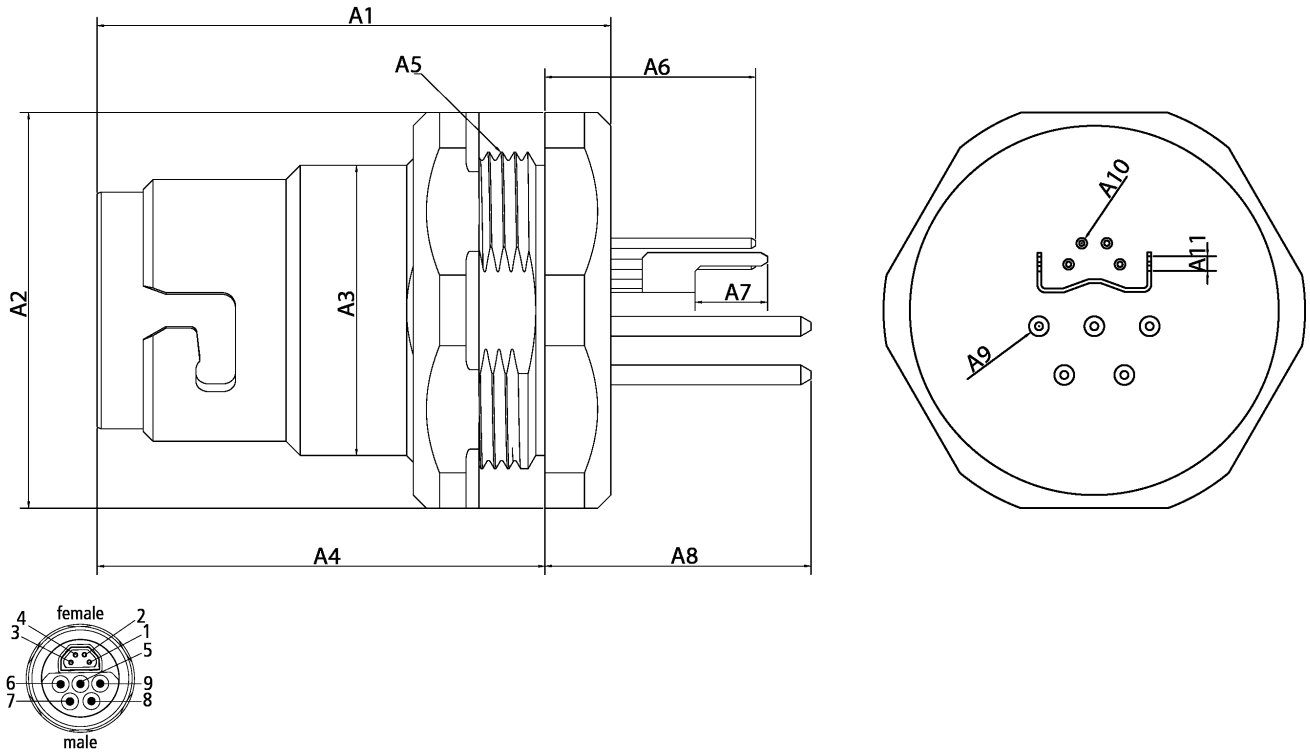
ZS7200-P001 | Flange, PCB, EtherCAT/Ethernet, IP 65/67, shielded, 20.2 mm/11.0 mm

B17, flange rear assembly with print contacts, straight, long, male+female, pins 4+PE+4, EtherCAT-coded

Electrical data	
Rated voltage (Ethernet)	60 V DC
Rated current (Ethernet)	4 A at 40 °C
Rated voltage (power)	630 V AC / 850 V DC, 600V AC / DC (UL)
Rated current (power)	15.5 A at 45 °C
Rated current (power)	15.5 A
Rated impulse voltage (power)	6.0 kV
Rated impulse voltage (Ethernet)	1.0 kV
Voltage proof (contact/contact)	1.5 kV (power - Ethernet), 3.31 kV AC (power), 1.0 kV AC (Ethernet)
Shielding (Ethernet)	yes
Contact resistance	< 10 mΩ (signal), < 5 mΩ (power)
Insulation resistance	≥ 100 MΩ (according to IEC 60512)
Mechanical data	
Installation size	B17
Connector type	flange rear assembly with print contacts
Configuration	straight, long
Contact type	male+female
Number of positions (face)	pins 4+PE+4
Coding	EtherCAT-coded
Mechanical coding	key 1 (2 x 24 V DC + PE)
Mating cycles	≥ 100
Way of locking	bayonet
Weight per piece	0.170 kg (0.375 lb)
Flange housing material	GD-Zn, Ni
Seal	NBR, FPM
Contact carrier material	PA 6, UL 94 V0
Contact carrier colour (Ethernet)	yellow
Contact carrier colour (power)	red
Contact plating	Au over Ni
Contact material	copper alloy
Environmental data	

Shock resistance	50 g (490 m/s ²) conforms to IEC 60512-6c, 11 ms; 18 shocks per direction, 3 axes
Vibration resistance	5 g (50 m/s ²) conforms to IEC 60512-6d, 10 Hz ... 500 Hz.; 10 cycles per axis; 6 h full duration
RoHS compliant	yes
Ambient temperature (operation)	-30...+80 °C, -22...+176 °F
Protection class	IP 65/67 in screwed condition (according to IEC 60529)
Pollution level	3/2 (according to IEC 60664-1)
Approvals	UL 2237: File E484763

Dimensions

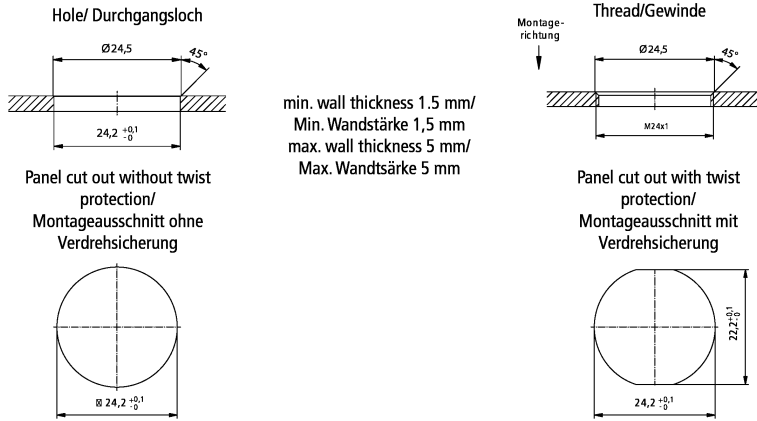


A1	39.00 mm
A2	30.40 mm
A3	22.00 mm
A4	33.00 mm
A5	M24
A6	11.00 mm
A7	5.50 mm
A8	20.20 mm
A9	1.50 mm
A10	0.80 mm
A11	1.11 mm

Notes

- Illustrations similar

Installation dimensions



Ordering information

ZS7200-P001

B17, flange, shielded, long, straight, male+female, 5+4-pin, EtherCAT-coded, IP 65/67, Ø 20.2 mm/11.0 mm

Beckhoff®, TwinCAT®, EtherCAT®, EtherCAT G®, EtherCAT G10®, EtherCAT P®, Safety over EtherCAT®, TwinSAFE®, XFC®, XTS® and XPlanar® are registered trademarks of and licensed by Beckhoff Automation GmbH. Other designations used in this publication may be trademarks whose use by third parties for their own purposes could violate the rights of the owners.

© Beckhoff Automation GmbH & Co. KG 02/2021

The information provided in this brochure contains merely general descriptions or characteristics of performance which in case of actual application do not always apply as described or which may change as a result of further development of the products. An obligation to provide the respective characteristics shall only exist if expressly agreed in the terms of contract.