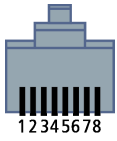
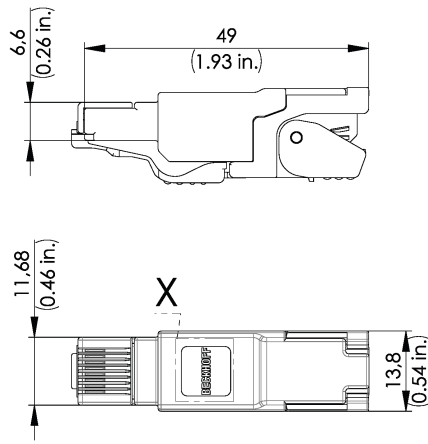


## ZS1090-0013 | RJ45 plug field assembly, IP 20, shielded

RJ45, plug, straight, male, 8-pin

Electrical data	
Rated current	1 A at 50 °C
Voltage proof (contact/contact)	≥ 1000 V DC
Voltage proof (contact/shield)	≥ 1500 V DC
Shielding	yes
Contact resistance	< 20 mΩ
Insulation resistance	≥ 500 MΩ
Mechanical data	
Accessories Type	Connector
Installation size	RJ45
Connector type	plug
Configuration	straight
Contact type	male
Number of positions (face)	8-pin
Wire termination	IDC
Mating cycles	≥ 750
Insertion force	≤ 30 N
Body colour	metal
Body material	zinc diecast Ni plated
Contact carrier colour	transparent
Contact carrier material	PC UL 94 V-0
Contact plating	Au over Ni
Contact material	Steel
Max. wire cross section	AWG22 (0.34 mm <sup>2</sup> )
Max. cable outer diameter	5.0...9.0 mm
Environmental data	
Special features	PoE according to IEEE 802.3af, PoE+ according to IEEE 802.3at, 4PPoE according to IEEE 802.3bt, 10 Gigabit Ethernet acc. to IEEE 802.3an, Category 6A according to ISO/IEC 11801; DIN EN 50173-1 and ANSI/TIA-568-C.2, Class EA according to ISO/IEC 11801; DIN EN 50173-1
RoHS compliant	yes acc. to directive 2011/65/EC
Ambient temperature (operation)	-40...+85 °C, -40...+185 °F
Protection class	IP 20 (according to IEC 60529)
Approvals	UL listed

## Dimensions



A1	49.00 mm
A2	13.80 mm

## Notes

- Illustrations similar

## Ordering information

ZS1090-0013 plug, field assembly, RJ45, IP 20, straight, male, 8-pin, AWG22, PU = 10 pieces, Ø 5.0...9.0 mm, shielded

Beckhoff®, TwinCAT®, EtherCAT®, EtherCAT G®, EtherCAT G10®, EtherCAT P®, Safety over EtherCAT®, TwinSAFE®, XFC®, XTS® and XPlanar® are registered trademarks of and licensed by Beckhoff Automation GmbH. Other designations used in this publication may be trademarks whose use by third parties for their own purposes could violate the rights of the owners.

© Beckhoff Automation GmbH & Co. KG 02/2021

The information provided in this brochure contains merely general descriptions or characteristics of performance which in case of actual application do not always apply as described or which may change as a result of further development of the products. An obligation to provide the respective characteristics shall only exist if expressly agreed in the terms of contract.