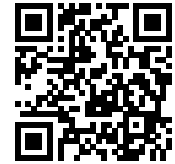
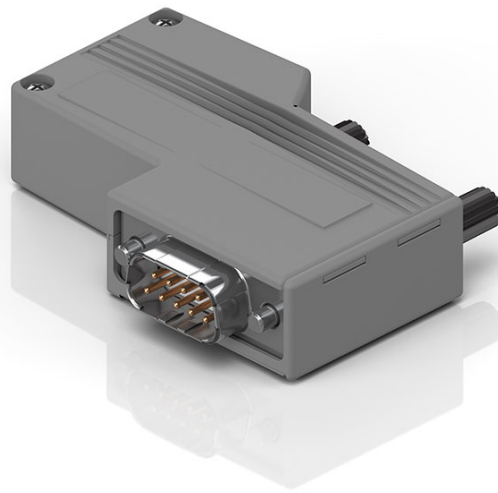


# ZS1051-3000 | CANopen, D-sub connector, with integrated termination resistor

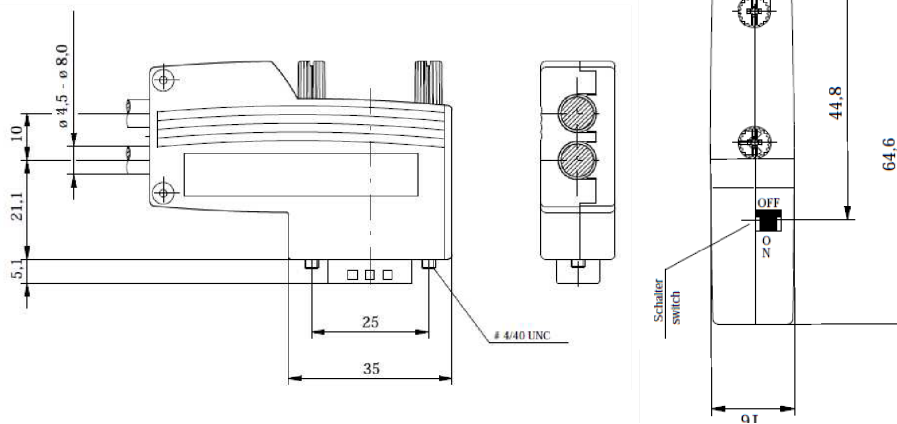


D-sub, socket, angled, female, 9-pin



Electrical data	
Transmission characteristics	acc. to CAN specification up to 1 M bit/s
Mechanical data	
Installation size	D-sub
Connector type	socket
Configuration	angled
Contact type	female
Number of positions (face)	9-pin
Wire termination	Cage clamp
Body material	thermoplast UL94V-1
Max. wire cross-section	AWG20 (0.5 mm <sup>2</sup> )
Max. cable outer diameter	4.5...8.0 mm
Environmental data	
Ambient temperature (operation)	-20...+70 °C, -4...+158 °F

Dimensions	
------------	--



## Notes

- Illustrations similar

### Ordering information

ZS1051-3000

9-pin D-sub connector for CANopen with integrated termination resistor



Products marked with a crossed-out wheeled bin shall not be discarded with the normal waste stream. The device is considered as waste electrical and electronic equipment. The national regulations for the disposal of waste electrical and electronic equipment must be observed.

Beckhoff®, TwinCAT®, TwinCAT/BSD®, TC/BSD®, EtherCAT®, EtherCAT G®, EtherCAT G10®, EtherCAT P®, Safety over EtherCAT®, TwinSAFE®, XFC®, XTS® and XPlanar® are registered trademarks of and licensed by Beckhoff Automation GmbH. Other designations used in this publication may be trademarks whose use by third parties for their own purposes could violate the rights of the owners.

© Beckhoff Automation GmbH & Co. KG 11/2023

The information provided in this brochure contains merely general descriptions or characteristics of performance which in case of actual application do not always apply as described or which may change as a result of further development of the products. An obligation to provide the respective characteristics shall only exist if expressly agreed in the terms of contract.