

## ZK2030-1600-0xxx | Power cable, PVC, 5 x 1.5 mm<sup>2</sup> (AWG16), fixed installation

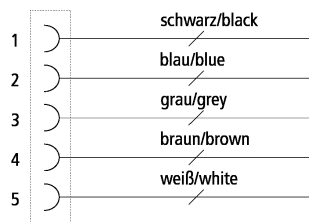
7/8", flange front assembly with wires, straight, female, 5-pin, A-coded – open end, 5-wire

### Plugs

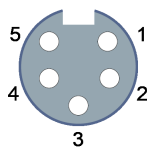
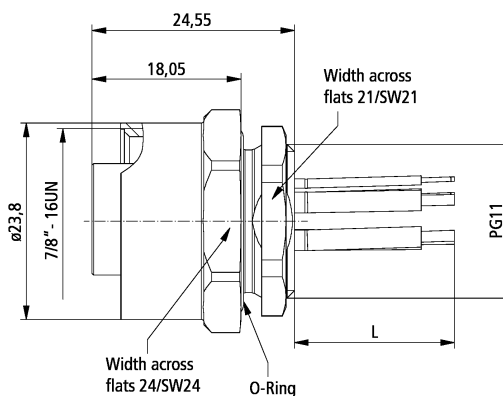
Electrical data	Head A	Head B
Rated voltage	300 V (according to IEC 60664-1)	-
Rated current	16 A at 40 °C (according to IEC 60512-3), 1.5 mm <sup>2</sup> : 10 A (according to UL2238), 2.5 mm <sup>2</sup> : 12 A (according to UL2238)	-
Rated impulse voltage	2.5 kV	-
Shielding	no	-
Insulation resistance	≥ 100 MΩ (according to IEC 60512)	-
Mechanical data		
Installation size	7/8"	open end
Connector type	flange front assembly with wires	-
Configuration	straight	-
Contact type	female	-
Number of positions (face)	5-pin	5-wire
Coding	A-coded	-
Mating cycles	≥ 100 (according to IEC 60512-9a)	-
Way of locking	screw	-
Body colour	black	-
Body material	CuZn, Ni	-
Coupling nut material	CuZn, Ni	-
Seal	FPM	-
Contact carrier colour	red	-
Contact carrier material	TPU, UL 94 HB	-
Contact plating	Ni, Au gal.	-
Contact material	CuZn	-
Environmental data		
Special features	halogen-free, flame-resistant as per IEC 60332-1-2, oil-resistant as per DIN EN 60811-2-1	-
RoHS compliant	yes	-
Ambient temperature (operation)	-40...+80 °C, -40...+176 °F	-

Protection class	IP 65/67 in screwed condition (according to IEC 60529)	-
Pollution level	3/2 (according to IEC 60664-1)	-

### Contact assembly



### Dimensions



A1	24.80 mm
A2	23.80 mm

## Notes

- Depending on the cable length (L), the following length tolerances apply:  
0 m...<0.2 m: ± 10 mm | 0.2...4.0 m: + 40 mm | ≥ 4.0 m: + 1 %
- Illustrations similar
- Further cable length on request. The last three digits of the ordering information is the cable length in decimeters, e.g. ZKxxxx-xxxx-x020 = cable length 2.00 m

Ordering information	Length
ZK2030-1600-0010	1.00 m

Beckhoff®, TwinCAT®, EtherCAT®, EtherCAT G®, EtherCAT G10®, EtherCAT P®, Safety over EtherCAT®, TwinSAFE®, XFC®, XTS® and XPlanar® are registered trademarks of and licensed by Beckhoff Automation GmbH. Other designations used in this publication may be trademarks whose use by third parties for their own purposes could violate the rights of the owners.

© Beckhoff Automation GmbH & Co. KG 02/2021

The information provided in this brochure contains merely general descriptions or characteristics of performance which in case of actual application do not always apply as described or which may change as a result of further development of the products. An obligation to provide the respective characteristics shall only exist if expressly agreed in the terms of contract.