



ZK1090-6292-0000 | Adapter Industrial Ethernet / EtherCAT

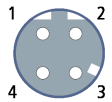
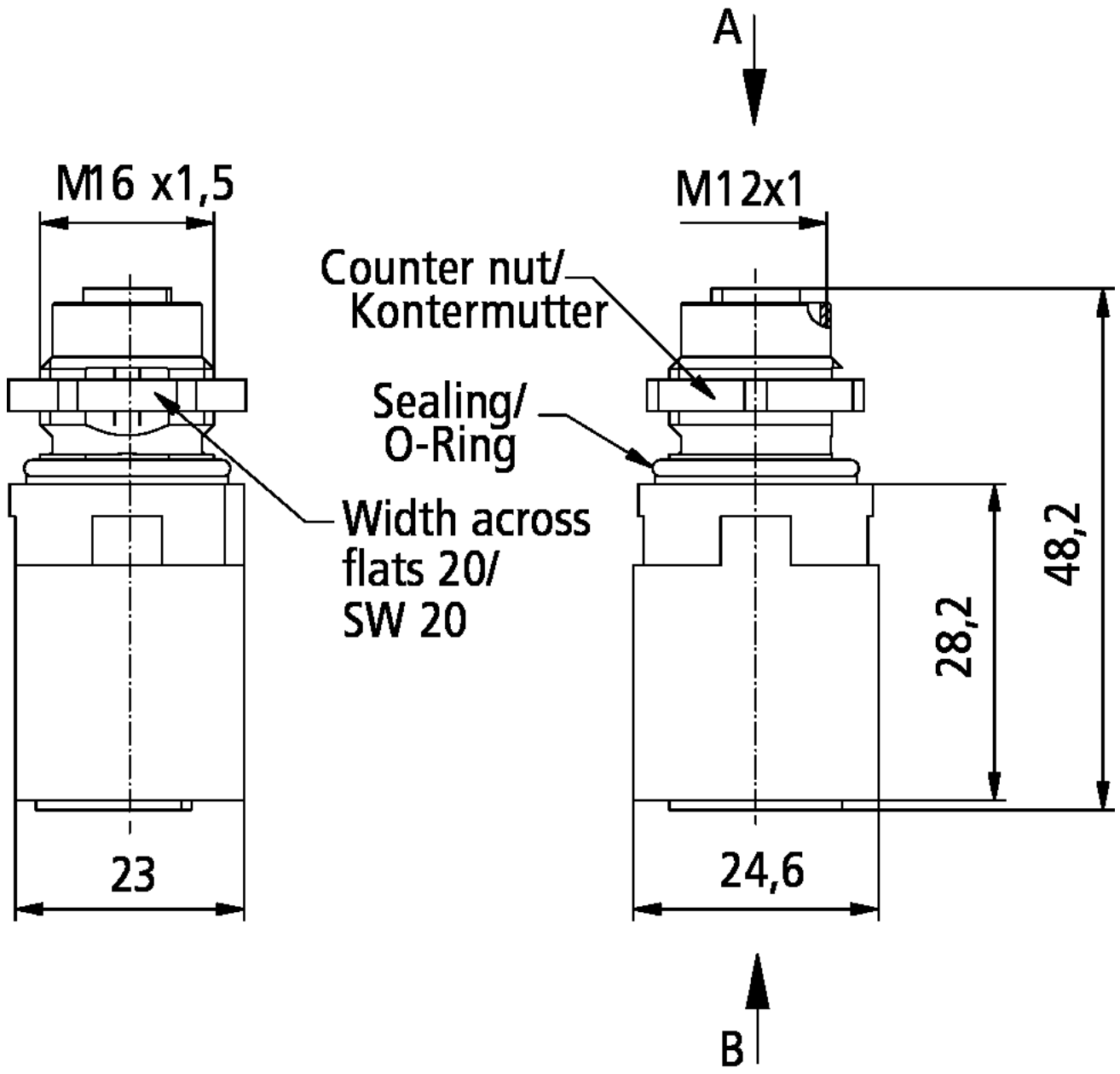
M12, flange, straight, female, 4-pin, D-coded – RJ45, socket, straight, female, 8-pin

Plugs

Electrical data	Head A	Head B
Rated voltage	160 V (according to IEC 61076-2-101)	160 V
Rated current	4 A at 40 °C (according to IEC 61076-2-101)	1 A at 50 °C
Shielding	yes	yes
Insulation resistance	≥ 100 MΩ (according to IEC 60512)	≥ 10 GΩ (according to IEC 60512-2)
Mechanical data		
Installation size	M12	RJ45
Connector type	flange	socket
Configuration	straight	straight
Contact type	female	female
Number of positions (face)	4-pin	8-pin
Coding	D-coded	-
Recommended torque, nut	1...1.2 Nm	-
Mating cycles	≥ 100 (according to IEC 60512-9a)	≥ 750
Way of locking	screw	-
Body colour	black	black
Body material	CuZn, Ni	PUR
Coupling nut material	CuZn, Ni	-
Seal	FPM	-
Contact carrier colour	green	-
Contact carrier material	PBT GF, UL 94	-
Contact plating	Ni, Au gal.	Ni, Au gal.
Contact material	CuZn	CuZn
Environmental data		
Special features	halogen-free, flame-resistant as per IEC 60332-1-2, oil-resistant as per DIN EN 60811-2-1	-
UV resistance	-	according to IEC 60068-2-5
RoHS compliant	yes	yes

Oil resistance	-	according to IEC 60811-2-1 respectively according to DIN VDE 0282 part 10
Ambient temperature (operation)	-30...+70 °C, -22...+158 °F	-40...+85 °C, -40...+185 °F
Protection class	IP 65/67 in screwed condition (according to IEC 60529)	IP 20
Pollution level	3/2 (according to IEC 60664-1)	-

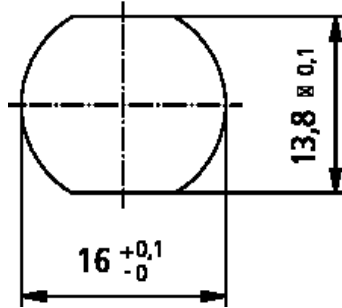
Dimensions



Notes

- Illustrations similar

Installation hole/
Einbauffnung:



Ordering information

Length

ZK1090-6292-0000

–

Beckhoff®, TwinCAT®, EtherCAT®, EtherCAT G®, EtherCAT G10®, EtherCAT P®, Safety over EtherCAT®, TwinSAFE®, XFC®, XTS® and XPlanar® are registered trademarks of and licensed by Beckhoff Automation GmbH. Other designations used in this publication may be trademarks whose use by third parties for their own purposes could violate the rights of the owners.

© Beckhoff Automation GmbH & Co. KG 04/2021

The information provided in this brochure contains merely general descriptions or characteristics of performance which in case of actual application do not always apply as described or which may change as a result of further development of the products. An obligation to provide the respective characteristics shall only exist if expressly agreed in the terms of contract.