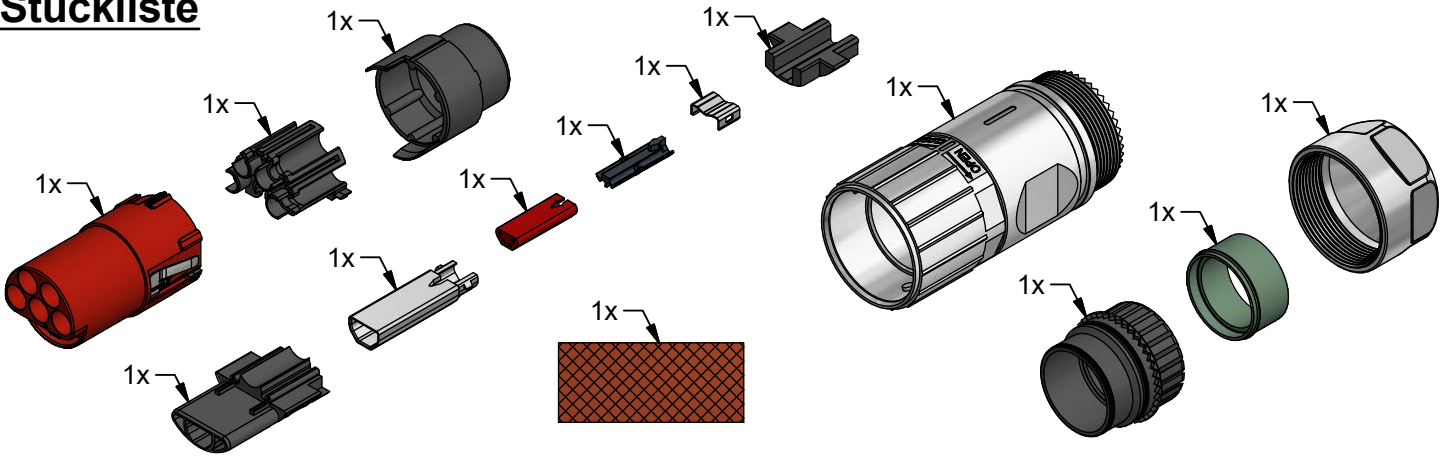


# Montageanleitung B40 Hybridsteckverbinder

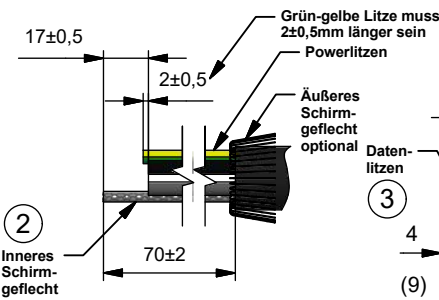
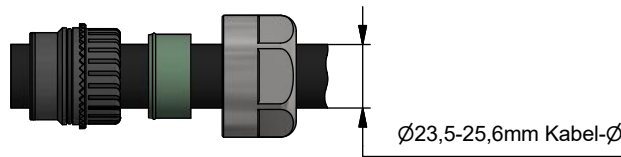
konfektionierbares Steckergehäuse mit Crimpanschluss, axial,

5x16mm<sup>2</sup> + 4xAWG22, ECP: Powerstift / Datenstift

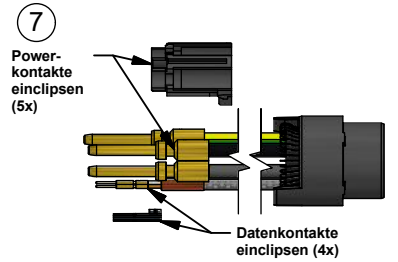
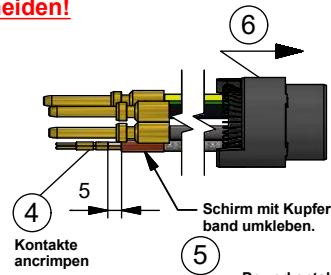
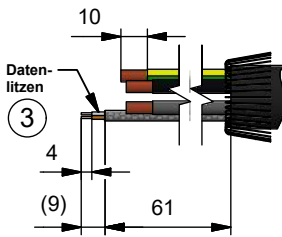
## Stückliste



1 Einzelteile auf Leitung schieben

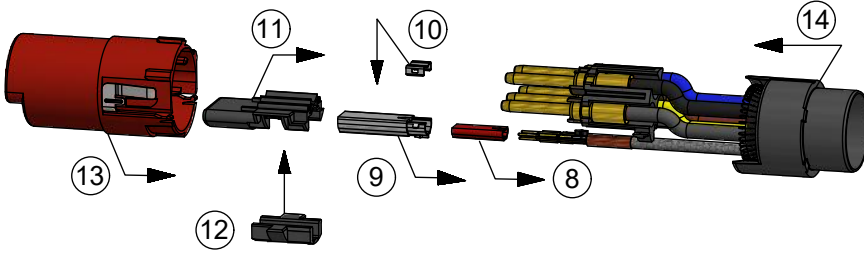


Füllstoffe bündig mit Kabelmantel wegschneiden!

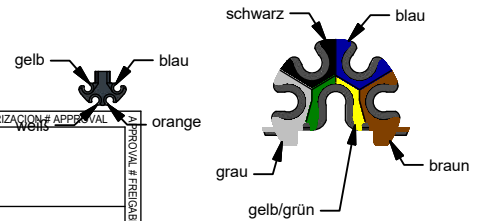


**Powerkontakte:**  
Crimppgerät HC20 ohne Kopf - 6700 0100 1 (Art.-Nr. Fa. Rennsteig)  
Crimpkopf 8.76-3 für HC20 - 6763 0000 6 (Art.-Nr. Fa. Rennsteig)  
Locator ZB8810-0005 - 241109 (Art.-Nr. Fa. Beckhoff)  
Einstellung für Crimppkopf - 3,30

**Datenkontakte:**  
Crimpzange ZB8810-0000 - 159939 (Art.-Nr. Fa. Beckhoff)  
Locator ZB8810-0001 - 159940 (Art.-Nr. Fa. Beckhoff)



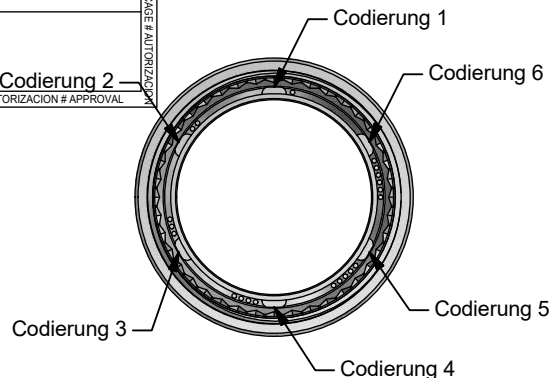
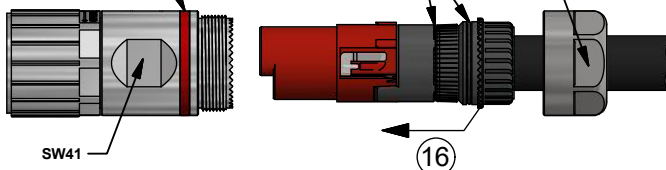
**Achtung: Ansicht von Kabelausgang dargestellt! Auf richtige Farbwahl achten!**



APPROVAL # FREIGABE # DEBLOCAGE # AUTORIZACION # APPROVAL	APPROVAL # FREIGABE # DEBLOCAGE # AUTORIZACION # APPROVAL
CUSTOMER APPROVAL DATE:	
NAME:	TITLE:
COMPANY NAME:	
APPROVAL # FREIGABE # DEBLOCAGE # AUTORIZACION # APPROVAL	APPROVAL # FREIGABE # DEBLOCAGE # AUTORIZACION # APPROVAL

**Farbring optional**  
ZS7400-B005 (rot)  
ZS7400-B007 (blau)  
ZS7400-B016 (grau)  
ZS7400-B006 (gelb)  
ZS7400-B008 (grün)  
ZS7400-B015 (orange)

Schirmgeflecht muss gekürzt werden und darf nicht über O-Ring ragen!

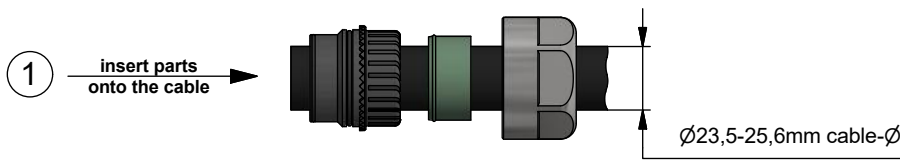
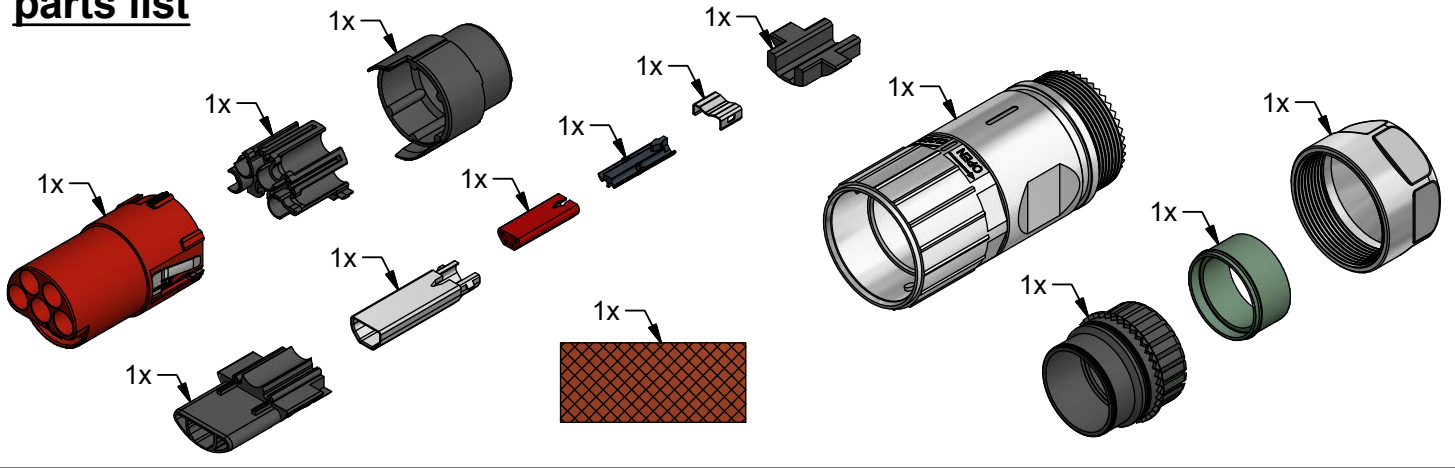


Beckhoff®, TwinCAT®, EtherCAT®, EtherCAT P®, Safety over EtherCAT®, TwinSAFE®, XFC® und XTS® sind eingetragene und lizenzierte Marken der Beckhoff Automation GmbH. Die Verwendung anderer in dieser Dokumentation enthaltener Marken oder Kennzeichen durch Dritte kann zu einer Verletzung von Rechten der Inhaber der entsprechenden Kennzeichen führen.

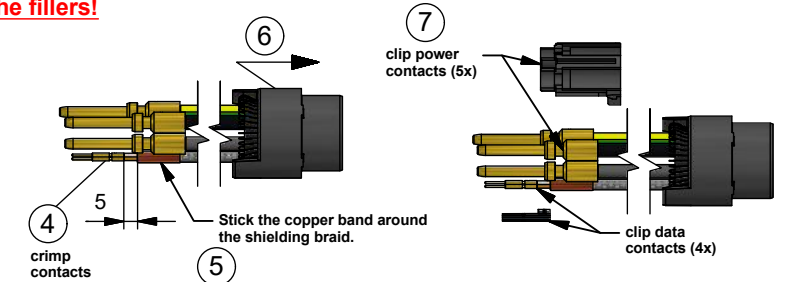
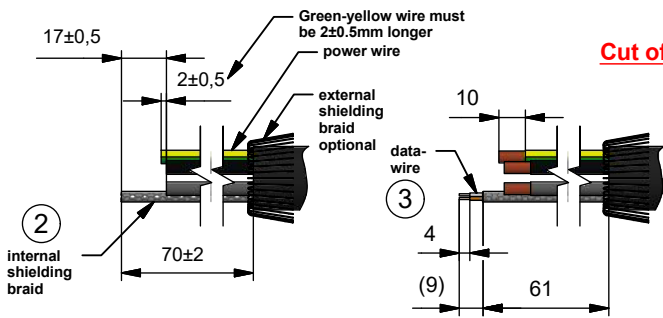
# Assembly instruction B40 hybrid connectors

field attachable plug housing with crimp connection, axial,  
5x16mm<sup>2</sup> + 4xAWG22, ECP: power (male) / data (male)

## parts list

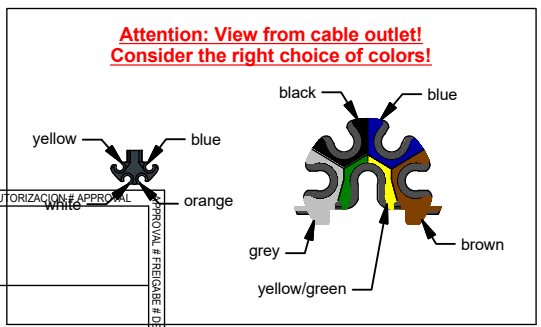
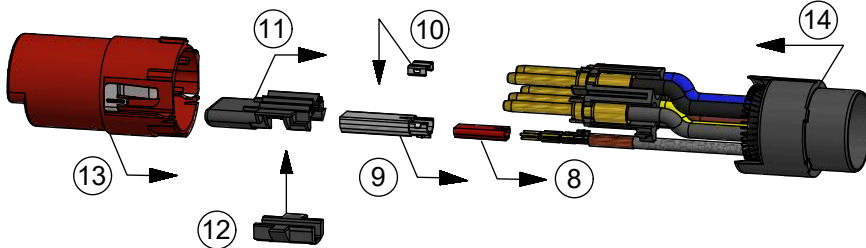


Please consider the cable direction!



**Power contacts:**  
Crimping tool HC20 without head - 6700 0100 1 (Rennsteig part-no.)  
Crimping head 8.76-3 for HC20 - 6763 0000 6 (Rennsteig part-no.)  
Locator ZB8810-0005 - 241109 (Beckhoff part-no.)  
Adjustment for crimping head - 3,30

**Data contacts:**  
Crimping tool ZB8810-0000 - 159939 (Beckhoff part-no.)  
Locator ZB8810-0001 - 159940 (Beckhoff part-no.)

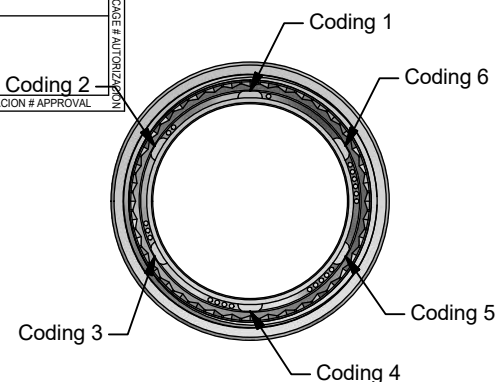
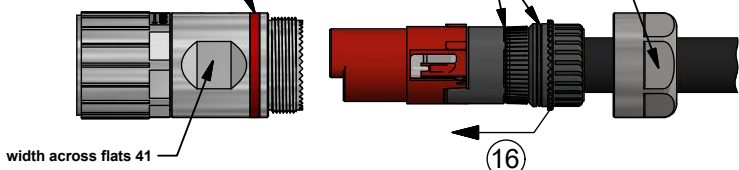


APPROVAL # FREIGABE # DEBLOCAGE # AUTORIZACION # APPROVAL	APPROVAL # FREIGABE # DEBLOCAGE # AUTORIZACION # APPROVAL
CUSTOMER APPROVAL DATE:	
NAME:	TITLE:
COMPANY NAME:	
APPROVAL # FREIGABE # DEBLOCAGE # AUTORIZACION # APPROVAL	APPROVAL # FREIGABE # DEBLOCAGE # AUTORIZACION # APPROVAL

**Farbring optional**  
ZS7400-B005 (red)  
ZS7400-B007 (blue)  
ZS7400-B016 (grey)  
ZS7400-B006 (yellow)  
ZS7400-B008 (green)  
ZS7400-B015 (orange)

Shielding braid has to be shorter. It isn't allowed to protrude above the o-ring.

width across flats 41



Beckhoff®, TwinCAT®, EtherCAT®, EtherCAT P®, Safety over EtherCAT®, TwinSAFE®, XFC® and XTS® are registered trademarks of and licensed by Beckhoff Automation GmbH. Other designations used in this publication may be trademarks whose use by third parties for their own purposes could violate the rights of the owners.

The information provided in this brochure contains merely general descriptions or characteristics of performance which in case of actual application do not always apply as described or which may change as a result of further development of the products. An obligation to provide the respective characteristics shall only exist if expressly agreed in the terms of contract.