



Installation and Operating instructions for
Built-in Panel PC CP63xx

Version: 1.4
Date: 2007-11-26

BECKHOFF

Table of contents

1. General Notes	3
Notes on the Documentation	3
Liability Conditions	3
Description of safety symbols	3
Basic safety measures	4
Operator's obligation to exercise diligence	5
Operator requirements	5
2. Product Description	6
Appropriate Use	6
Structure	6
Interfaces	8
Serial interfaces	8
Network connection	8
PS/2 connections	8
VGA connection	8
free slot	8
USB interfaces	8
DVI interface	8
3. Installation Instructions	9
Transport and Unpacking	9
Transport	9
Unpacking	9
Installation of the PC in the control cabinet	10
Earthing measures	10
Power Supply Connection	11
Pin assignment of the connector	11
Wiring diagram	11
Fitting the cable	12
Material for assembling the connectors	12
Assembling the connectors	12
Connecting Power Supply	13
Cable Cross Sections	13
PC_ON, Power-Status, UPS output	13
Connecting devices	14
Connecting cables	14
Verifying the voltage and connecting	14
4. Operating Instructions	15
Switching the Industrial PC on and off	15
First switching on and driver installation	15
Operation	15
Keyboard codes	16
Servicing and maintenance	18
Cleaning the Industrial PC	18
Replacing the battery on the motherboard	18
Servicing	18
Replacing the fluorescent lamps in the display	18
Lamp sets	19
Emergency procedures	19
Shutting down	19
Disposal	19

5. UPS Software Components (optional)	20
Installation on the PC	20
Help files	20
6. Troubleshooting	21
Fault correction	21
Service and Support	22
Beckhoff's branch offices and representatives	22
Beckhoff headquarters	22
Beckhoff Support	22
Beckhoff Service	22
7. Assembly dimensions	23
8. Appendix	25
Technical data	25
Approvals	25
FCC: Federal Communications Commission Radio Frequency Interference Statement	25
FCC: Canadian Notice	25

General Notes

Notes on the Documentation

This description is only intended for the use of trained specialists in control and automation engineering who are familiar with the applicable national standards. It is essential that the following notes and explanations are followed when installing and commissioning these components.

Liability Conditions

The responsible staff must ensure that the application or use of the products described satisfy all the requirements for safety, including all the relevant laws, regulations, guidelines and standards.

The documentation has been prepared with care. The products described are, however, constantly under development. For that reason the documentation is not in every case checked for consistency with performance data, standards or other characteristics. None of the statements of this manual represents a guarantee (Garantie) in the meaning of § 443 BGB of the German Civil Code or a statement about the contractually expected fitness for a particular purpose in the meaning of § 434 par. 1 sentence 1 BGB. In the event that it contains technical or editorial errors, we retain the right to make alterations at any time and without warning. No claims for the modification of products that have already been supplied may be made on the basis of the data, diagrams and descriptions in this documentation.

© This documentation is copyrighted. Any reproduction or third party use of this publication, whether in whole or in part, without the written permission of Beckhoff Automation GmbH, is forbidden.

Description of safety symbols

The following safety symbols are used in this operating manual. They are intended to alert the reader to the associated safety instructions.



This symbol is intended to highlight risks for the life or health of personnel.



This symbol is intended to highlight risks for equipment, materials or the environment.



This symbol indicates information that contributes to better understanding.

Basic safety measures

Only switch the PC off after closing the software

Before the Industrial PC is switched off, software that is running must be properly closed.

Otherwise it is possible that data on the hard disk is lost. Please read the section [Switching the Industrial PC on and off](#).



Warning

Switch off all parts of the equipment, then uncouple the fieldbus!

Before opening the housing of the PC, and whenever the PC is being used for purposes other than plant control, such as during functional tests following repair, all parts of the equipment must first be switched off, after which the Industrial PC can be uncoupled from the plant.

Pulling out the fieldbus connection plug uncouples the PC (optional).

Items of equipment that have been switched off must be secured against being switched on again.

The Industrial PC's power supply unit must be supplied with 24V_{DC}.



Danger

Do not open the power supply unit while voltage is applied!

The supply voltage must be switched off before the power supply unit housing is opened.

Do not exchange any parts when under power!

When components are being fitted or removed, the supply voltage must be switched off.

Fitting work on the Industrial PC can result in damage:

- If metal objects such as screws or tools fall onto operating circuit boards.
- If connecting cables internal to the PC are removed or inserted during operation.
- If plug-in cards are removed or inserted when the PC is switched on.

Displays used for the control panel's LC-display are operated with a voltage of up to 1000 V, depending on type. For that reason:

The supply voltage must be disconnected before the housing of the Control Panel is opened.



Danger

Operator's obligation to exercise diligence

The operator must ensure that

- the Industrial PC is only used for its intended use (see also [Product Description](#) chapter).
- the Industrial PC is in a sound condition and in working order during operation.
- the operation manual is in good condition and complete, and always available for reference at the location of the Industrial PC.
- the Industrial PC is operated, maintained and repaired only by sufficiently qualified and authorised personnel.
- the personnel is instructed regularly about relevant occupational safety and environmental protection aspects, and is familiar with the operating manual and in particular the safety notes contained herein.
- none of the safety and warning notes attached to the Industrial PC are removed, and that all notes remain legible.

National regulations depending on the machine type

Depending on the type of machine and plant in which the Industrial PC is being used, there will be national regulations for the control of such machines and plant that the operator must observe. These regulations cover, amongst other things, the intervals between inspections of the controller.

The operator must initiate such inspections in good time.



Warning

Only trained persons may open the Industrial PC housing!

The operator is responsible for ensuring that only trained electrical staff opens the housing of the Industrial PC.

Procedure in the event of a fault

In the event of a fault in the Industrial PC, appropriate measures can be determined with the aid of the list in the [Fault correction](#) section.

Operator requirements

Read the operating instructions

Every user of the Industrial PC must have read these operating instructions.

Software knowledge

Every user must be familiar with any of the functions of the software installed on the PC that he can reach.

Product Description

Appropriate Use

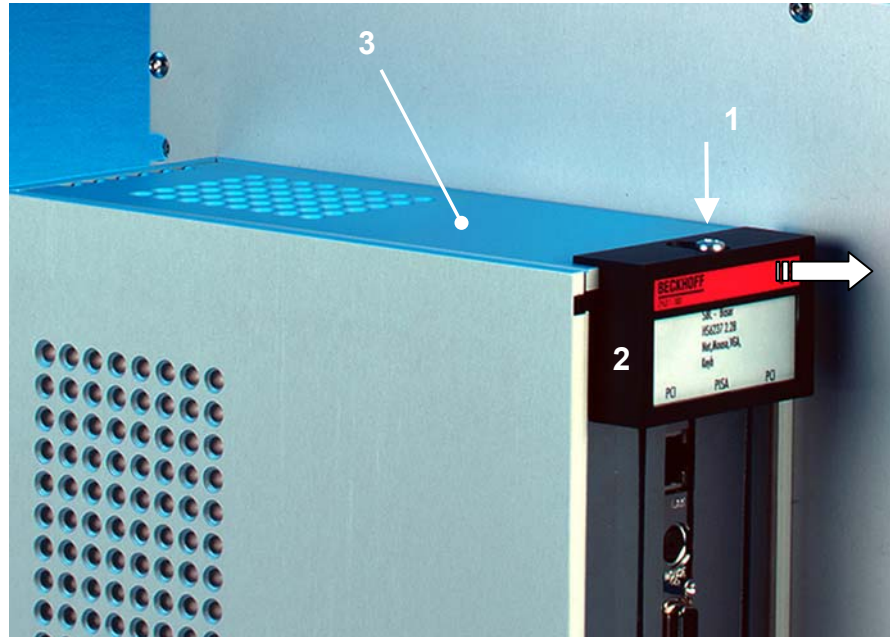
The Built-in Panel PC CP63xx is designed for front installation in control cabinets in machine and plant engineering applications.

Do not use the Build-in Panel PC in areas of explosive hazard

The Build-in Panel PC must not be used where there is a risk of explosion.

Structure

Opening the housing



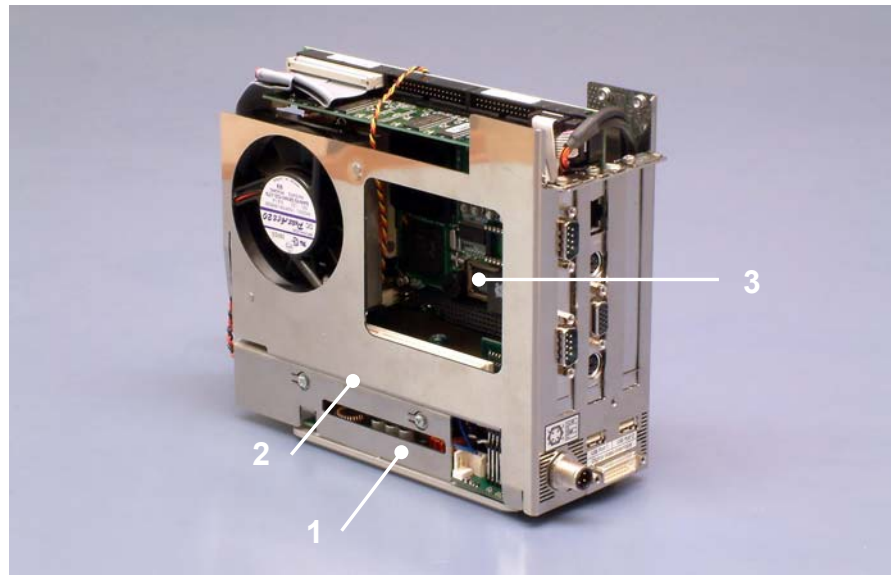
To open the PC housing, release the screw (1) by one turn using a screwdriver. The plastic cap (2) can then be pulled forward, thereby releasing the lid (3).

View of the individual components



The aluminium lid can now be lifted off. Avoid damaging the electrical supply line to the fan!

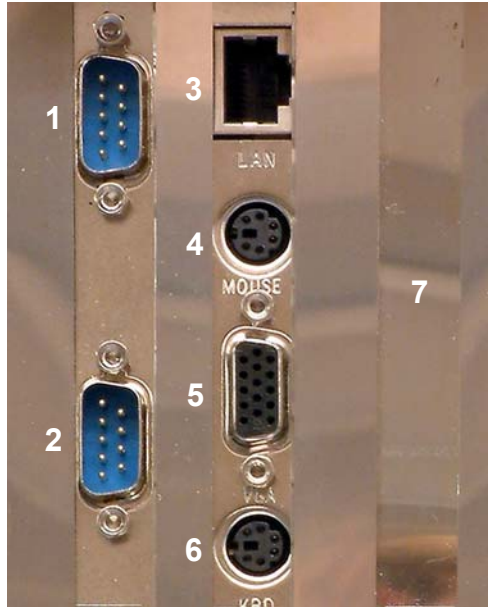
*View of the open PC in
basic configuration*



The computer chassis can now be removed from the housing. The power supply (1) and the hard disk (2) are located in the lower part of the chassis. The slot motherboard (3) is located in the central slot of the housing.

Interfaces

*Interfaces of the
Built-in Panel PC CP63xx*



Serial interfaces

*RS 232
COM1 - COM2*

The basic version of the CP63XX Industrial PC has two serial interfaces, COM1 (1) and COM2 (2), using the type RS232, which are brought to a 9 pin SUB-D plug connector.

Network connection

Network

The PC is connected with the local network via the 10/100 Base-T RJ-45 connector (3) of the on-board Ethernet adapter.

PS/2 connections

PS/2

The upper PS/2 connector (4) allows a PS/6 mouse to be used, while a PC keyboard can be connected to the lower PS/2 connector (7).

VGA connection

VGA

A 15-pin SUB-D socket connector (5) allows a VGA monitor to be connected.

free slot

free slot

A free slot (7) enables the expansion of the Industrial PC with a PCI plug-in card.

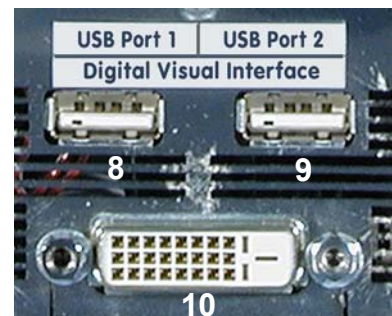
The type plate of the PC housing provides information about the configuration of the Industrial PCs in the delivery state.

USB interfaces

USB1 – USB2

One of the two USB interfaces (8) and (9) is used for connecting the Control Panel.

The remaining port can be used to connect peripheral devices with USB interface.



DVI interface

DVI

The DVI interface (10) is used for connecting the Control Panel.

Installation Instructions

Please also refer to chapter [General Notes](#).

Transport and Unpacking

The specified storage conditions must be observed (see chapter [Technical data](#)).

Transport

Despite the robust design of the unit, the components are sensitive to strong vibrations and impacts. During transport, your Industrial PC should therefore be protected from excessive mechanical stress. Therefore, please use the original packaging.



Warning

Danger of damage to the unit!

If the device is transported in cold weather or is exposed to extreme variations in temperature, make sure that moisture (condensation) does not form on or inside the device.

Prior to operation, the unit must be allowed to slowly adjust to room temperature. Should condensation occur, a delay time of approximately 12 hours must be allowed before the unit is switched on.

Unpacking

Proceed as follows to unpack the unit:

1. Remove packaging.
2. Do not discard the original packaging. Keep it for future relocation.
3. Check the delivery for completeness by comparing it with your order.
4. Please keep the associated paperwork. It contains important information for handling the unit.
5. Check the contents for visible shipping damage.
6. If you notice any shipping damage or inconsistencies between the contents and your order, you should notify Beckhoff Service.

Installation of the PC in the control cabinet

The Built-in Panel PC CP63xx is designed for mounting in control cabinets in machine and plant engineering applications.

The ambient conditions specified for operation must be observed (see the section on [Technical data](#)).

Preparation of the control cabinet

The control cabinet wall must be prepared with the required mounting opening for the computer unit according to the PC's dimensions (see chapter [Assembly dimensions](#)).



Note

When the unit is installed in an enclosure, adequate space for ventilation and for opening the PC must be provided.

The clearance above and below the housing must be at least 100 mm in order to ensure adequate ventilation of the PC.

Please note the following points during installation of the PC:

- Position the PC in such a way that reflections on the screen are avoided as far as possible.
- Use the position of the screen as a guide for the correct installation height; it should be optimally visible for the user at all times.
- The PC should not be exposed to direct sunlight.
- When the unit is in its mounting position, the ventilation openings must not be obstructed.



Warning

Extreme environmental conditions should be avoided as far as possible. Protect the rear of your PC from dust, humidity and heat.

The ventilation slots of the PC must not be covered.

Installation in a control cabinet wall

Proceed as follows:

1. Insert the PC at the intended control cabinet wall position and protect it from falling out, prior to final mounting.
2. Release the clamping levers with a No. 3 Allen key, turn the clamping levers to the side through 90° and retighten the screws.

Earthing measures

Earthing connections dissipate interference from external power supply cables, signal cables or cables to peripheral equipment.

Establish a low-impedance connection from the earthing point on the PC housing to the central earthing point on the control cabinet wall, in which the computer is being installed.

Earthing measures



Power Supply Connection

Supplied mains power unit

The Industrial PC is fitted with a 24 V_{DC} power supply unit .

Optional an uninterruptible power supply (UPS) can be realized using the battery pack C9900-U330.



Danger of Explosion if using other battery packs!

Pin assignment of the connector

The power supply and the external circuit for switching the Industrial PC on and off are connected via the 8-pole plug connector .

Pin assignment for connecting the switch, the power supply and the battery pack (optional)

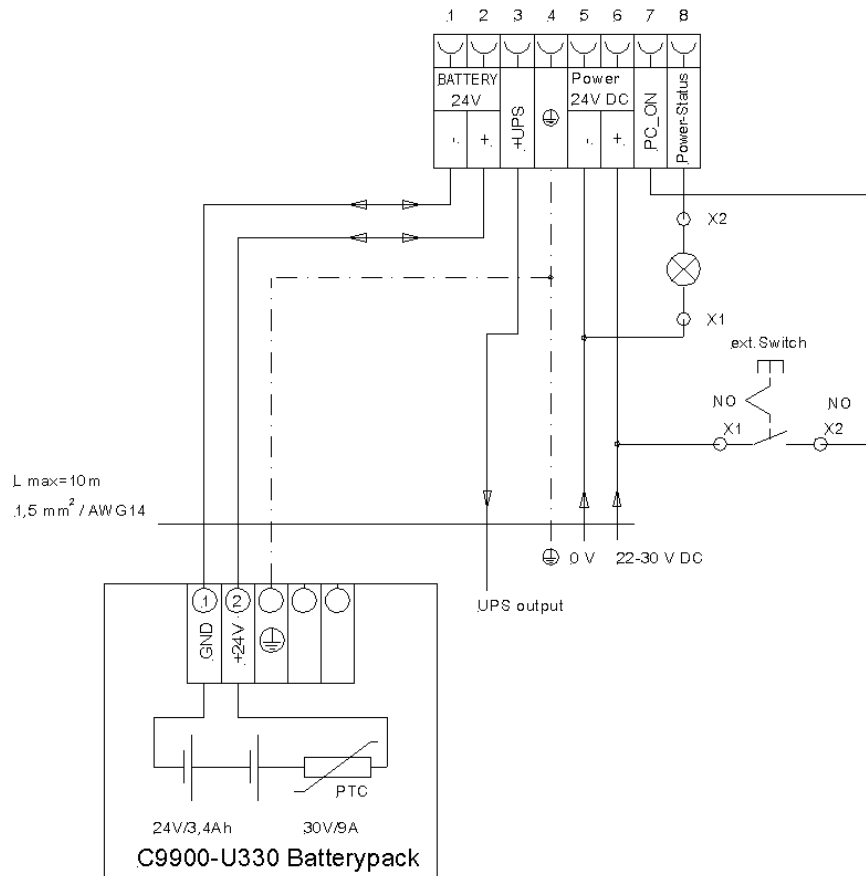


Pin	Function
1	- Battery Pack (with USV)
2	+ Battery Pack (with USV)
3	UPS+ (Output)
4	⊕
5	- 24 V DC Power Supply
6	+ 24 V DC Power Supply
7	PC_ON
8	Power-Status

Wiring diagram

Wiring according to the wiring diagram (the circuit of PC_ON and Power-Status is symbolical):

Wiring diagram external switch and power supply



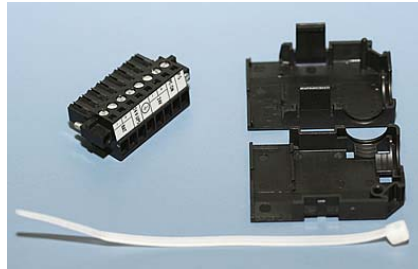
Fitting the cable

Wiring in accordance with wiring diagram

Fit the cables for the power supply of the Industrial PC, the connection of the battery pack as well as the connection of the power-switch in accordance with the wiring diagram, using the included material for assembling the connectors.

Material for assembling the connectors

Material for assembling the connectors



Plug connector 8-pole, Strain relief housing with lacing cord

Assembling the connectors

Conductive cross-section

The connector is specified for 16 A and can lift conductive cross-sections until 1.5 mm².

Fitting the connector to the cable

So the connector is fitted to the cable:

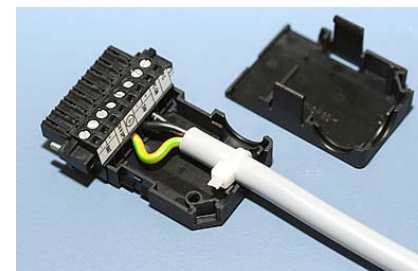
1. Strip insulation from the cable ends (Length of stripped conductor is 8 – 9 mm).
2. Screw together the cable ends in the 8-pole plug connector in accordance with wiring diagram.

Applying the strain relief



Thread the lacing cord into that lower part of the strain relief housing.

Putting in the plug connector



Put the plug connector into that lower part of the strain relief housing. Tighten the lacing cord and pinch off the plastic strap.

Fixing the upper part of the strain relief housing



Fix the upper part of the strain relief housing by snapping it onto the lower part.

Connecting Power Supply

The external wiring consists of the connection of the power supply, the battery pack (optional) and the connection of customised components for shutting down the PC.

Cable Cross Sections

Note cable cross sections, avoid voltage drop!

For the connection of the power supply, wiring with a cable-cross-section of 1.5 mm^2 must be used.

With bigger distances between voltage source and PC, you take the voltage drop as a function of the cable-cross-section as well as voltage fluctuations of your distribution voltage into account, so that is secured that the voltage doesn't fall under 22 V at the power supply.

Insert Fuse

The power supply must be protected with maximum 16 A.

PC_ON, Power-Status, UPS output

The circuit for shutting down the Industrial PC is realized using the input-signal **PC_ON** and the output-signal **Power-Status**:

- The PC starts shutting down if 24 V exists at **PC_ON**, for example using a switch.
- After shutting down, the output-voltage of 24 V at **Power-Status** is switched to 0 V. This allows connecting an air gap switch for disconnecting the system from power supply. The maximum current loading of the Power-Status output is 0.5 A.
- After power failure, there are still 24 V DC between **UPS output** and **Battery - Pole**, current loading maximum 1.4 A.
- After the PC is disconnected from power supply via UPS software, the UPS output is switched to 0V too. Connected peripheral devices are thus switched off, a total-discharge of the battery is not possible.

Connecting devices



Warning

The power supply plug must be withdrawn!

Please read the documentation for the external devices prior to connecting them.

During thunderstorms, plug connector must neither be inserted nor removed.

When disconnecting a plug connector, always handle it at the plug. Do not pull the cable!

Connecting cables

The connections are located on the front of the Industrial PC, and are documented in the section [Product Description](#).

When connecting the cables to the Industrial PC, proceed according to the following sequence:

- Switch off all the devices that are to be connected.
- Disconnect all the devices that are to be connected from the power supply.
- Connect all the cables between the Industrial PC and to the devices that are to be connected.
- Connect all data transfer cables (if present) to the appropriate plug-in receptacles of the data/telecommunication networks.
- Reconnect all devices to the power supply.

Verifying the voltage and connecting

Installation using a 24 V_{DC} power supply unit:

1. Check that the external power supply is providing the correct voltage.
2. Plug the power supply cable assembled beforehand into the power supply unit connector plug of the Industrial PC and connect it to your external 24 V power supply unit.



Warning

If a 24 V UPS is installed, the correct type of rechargeable battery must be used.

Operating Instructions

Please also refer to chapter [General Notes](#).

Switching the Industrial PC on and off

Switch on

The Industrial PC does not have its own mains switch. The Industrial PC will start when the equipment is switched on, or when it is connected to the power supply.

Shutting down and switching off

When the plant is switched off, or when it is disconnected from its power supply, the Industrial PC will be switched off.

Control software such as is typically used on Industrial PCs permits various users to be given different rights. A user who may not close software may also not switch the Industrial PC off, since data can be lost from the hard disk by switching off while software is running.



Warning

First shut down, then switch off the PC!

If the Industrial PC is switched off as the software is writing a file to the hard disk, the file will be destroyed. Control software typically writes something to the hard disk every few seconds, so that the probability of causing damage by switching off while the software is running is very high.



Warning

When you have shut down the Industrial PC, you have to switch off power supply for at least 10 seconds before rebooting the system. After resetting power supply the PC will start booting automatically.

First switching on and driver installation

When you switch on the Industrial PC for the first time, the pre-installed operating system (optional) will be started. In this case, all the required drivers for any additional, optional hardware components ordered with the PC will already have been installed.

If the PC was ordered without operating system, you have to install the operating system and the driver software for any auxiliary hardware yourself. Please follow the instructions in the documentation for the operating system and the additional devices.

Operation

Operation

The Panel PC's membrane keypad may only be actuated by fingertips.



Note

Attempts to actuate it with other objects can easily result in the destruction of the device. Neither may the membrane keypad be operated with a touch screen pen.

The touch screen may only be actuated by finger tips or with the touch screen pen. The operator may wear gloves but there must be no hard particles such as metal shavings, glass splinters embedded in the glove.

Keyboard codes

Type-dependent number of keys

Depending on the precise type, the Control Panel can have fewer keys than those described here.

Operation



The cursor is the blinking character that marks the point at which the next character entered will be displayed. The cursor is also known as the insertion point. The cursor keys each move the cursor one place in the associated direction.



The Home key moves the cursor to the beginning of the line, while the End key moves it to the end of the line.



The *Pg Up* key scrolls one page back, the *Pg Dn* key scrolls one page forward.



The Tab key takes the cursor to the next input field, while Shift and Tab moves to the previous input field.



The mouse cursor can be moved over the screen with the aid of the touch screen or of the touch pad (optional). The keys correspond to the left and right hand keys of a Microsoft mouse.



The *Del* key deletes the character to the right of the cursor.



The *Ins* key causes characters to the right of the cursor to be overwritten. The overwrite mode is cancelled by pressing the key again.



Print-Screen prints a hard copy of a text screen on the printer.



The Pause key stops the computer until another key is pressed (only under MS-DOS).



Your input is confirmed with the Enter key.



Backspace deletes the character to the left of the cursor.



If the Shift key is pressed at the same time as another key, then instead of the numbers you obtain the character printed above the number, and you obtain upper case letters instead of lower case letters.



Pressing the *Caps Lock* key once activates and locks the *Shift* key. Pressing the *Shift* key cancels this function.



Rather like the effect of the *Shift* key, *Ctrl* and *Alt* also change the meaning of another key that is pressed at the same time.



This key brings up the Start menu of the operating system in use (Windows 95, 98, ME, NT, 2000, XP).



Pressing this key opens the property sheet of the active (or marked) object.



The *Esc* key has the effect of closing dialog windows and of interrupting some of the computer's working operations.



All other keys bring the character printed on them onto the display at the position of the cursor.



The meaning of the function keys, *F1* to *F10*, is determined by the software and is displayed at the bottom edge of the display.



The function of the special keys above the display is also determined by the software. The function is displayed at the top edge of the display. The special keys each have an orange LED controlled by the software.

Servicing and maintenance

Please also refer to chapter [General Notes](#).

Cleaning the Industrial PC



Danger

Switch off the Industrial PC and all connected devices, and disconnect the Industrial PC from the power supply.

The Industrial PC and the front of the Panel can be cleaned with a soft, damp cloth. Do not use any aggressive cleaning materials, thinners, scouring material or hard objects that could cause scratches.

Replacing the battery on the motherboard

A used battery on the motherboard has to be replaced according to the rules of the board manufacturer.



Danger

Danger of Explosion if battery is incorrectly replaced. Replace only with same or equivalent type recommended by the manufacturer. Dispose of used batteries according to the manufacturer's instructions.

Servicing

The Build in Panel PC requires no maintenance.

Replacing the fluorescent lamps in the display

Since fluorescent lamps represent a consumable item in a display, they must be replaced after a few years, depending on the number of operating hours.

The fluorescent lamps of the 12 inch and 15 inch displays can be replaced by a **technically competent person**.



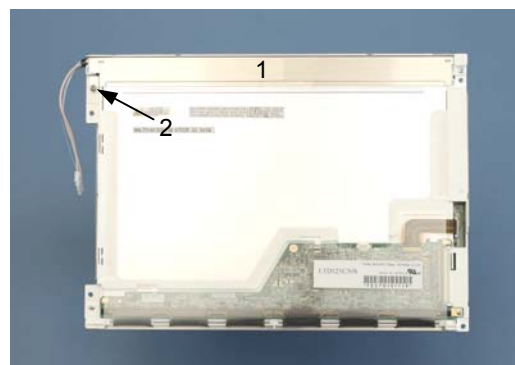
Note

Replacement of the fluorescent lamps may require partial disassembly of the display!

Replacement for the 12 inch display

First release the screw (2) with a small Philips screwdriver, then tilt the fluorescent tubes with their brackets (1) carefully outwards.

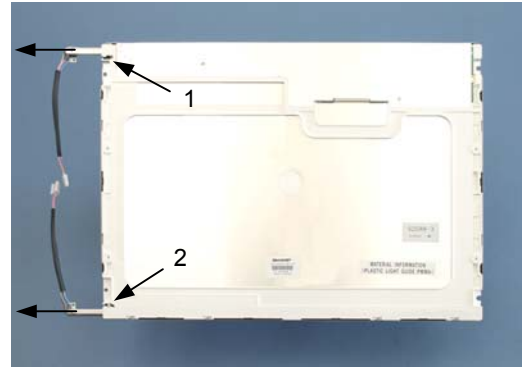
After the exchange of the fluorescent lamps the installation takes place in reverse order.



Replacement for the 15 inch display

First release the two screws (1) and (2) with a small Philips screwdriver, then carefully pull out the fluorescent lamps in direction of the arrows.

After the exchange of the fluorescent lamps the installation takes place in reverse order.



Lamp sets

Order number	Background illumination unit for
C9900 - L364	12 inch TFT display LTD121C30S
C9900 - L366	15 inch TFT display LQ150X1LW71N

Emergency procedures

In case of fire, the Industrial PC should be extinguished with powder or nitrogen.

Shutting down

Disposal

The device must be fully dismantled in order to dispose of it. The housing can be sent for metal recycling.

Electronic parts such as disk drives and circuit boards must be disposed of in accordance with national electronics scrap regulations.

Dismantling the Industrial PC

Observe national electronics scrap regulations

UPS Software Components (optional)

Installing the UPS driver software

For operating the power supply unit as a UPS, the UPS driver software and the associated UPS driver must be installed on the Industrial PC.

On delivery of the Beckhoff Industrial PC with operating system the software is already installed. Should the software not be installed on your PC, the drivers can be installed from the driver CD provided.

Installation on the PC

Installation

To install the UPS driver software, execute file **Beckhoff_UPS_vx.xx.xx.exe** from the subdirectory of **UPS\...** from the CD provided on the Industrial PC (Driver-archive for the Industrial-PC, C9900-S700-xxxx).

The program is self-extracting and will guide the user through the installation routine.

Help files

Beckhoff Information System

The driver software comes with a detailed help function.

The help files can be called up either directly from the configuration register by clicking the Help button, or under via *Start > Programs > Beckhoff > UPS software components*.

Troubleshooting

Please also refer to chapter [General Notes](#).



Note

Pixel errors in the TFT display are production-caused and represent no complaint-reason!

Fault correction

Fault	Cause	Procedure
Nothing happens after the Industrial PC has been switched on	No power supply to the Industrial PC	Check power supply cable
	Other cause	Call Beckhoff Service
The Industrial PC does not boot fully	Floppy disk or CD in the drive	Remove floppy disk or CD and press any key
	Setup settings are incorrect	Check the setup settings
	Other cause	Call Beckhoff Service
Computer boots, software starts, but control does not operate correctly	Cause of the fault is either in the software or in parts of the plant outside the Industrial PC	Call the manufacturer of the machine or the software
Floppy disk or CD access error	Faulty disk or CD	Check disk or CD in another drive
	Faulty disk drive	Call Beckhoff Service
The Industrial PC functions only partially or only part of the time, e.g. no or dark picture, but disk drive responds when switching on	Defective components in the Industrial PC	Call Beckhoff Service

Service and Support

Beckhoff and their partners around the world offer comprehensive service and support, making available fast and competent assistance with all questions related to Beckhoff products and system solutions.

Beckhoff's branch offices and representatives

Please contact your Beckhoff branch office or representative for [local support and service](#) on Beckhoff products!

The addresses of Beckhoff's branch offices and representatives round the world can be found on her internet pages:

<http://www.beckhoff.com>

You will also find further [documentation](#) for Beckhoff components there.

Beckhoff headquarters

Beckhoff Automation GmbH
Eiserstraße 5
D-33415 Verl
Germany

Phone: +49(0)5246/963-0
Fax: +49(0)5246/963-198
e-mail: info@beckhoff.com

Beckhoff Support

Support offers you comprehensive technical assistance, helping you not only with the application of individual Beckhoff products, but also with other, wide-ranging services:

- world-wide support
- design, programming and commissioning of complex automation systems
- and extensive training program for Beckhoff system components

Hotline: +49(0)5246/963-157
Fax: +49(0)5246/963-9157
e-mail: support@beckhoff.com

Beckhoff Service

The Beckhoff Service Center supports you in all matters of after-sales service:

- on-site service
- repair service
- spare parts service
- hotline service

Hotline: +49(0)5246/963-460
Fax: +49(0)5246/963-479
e-mail: service@beckhoff.com

Quote the project number

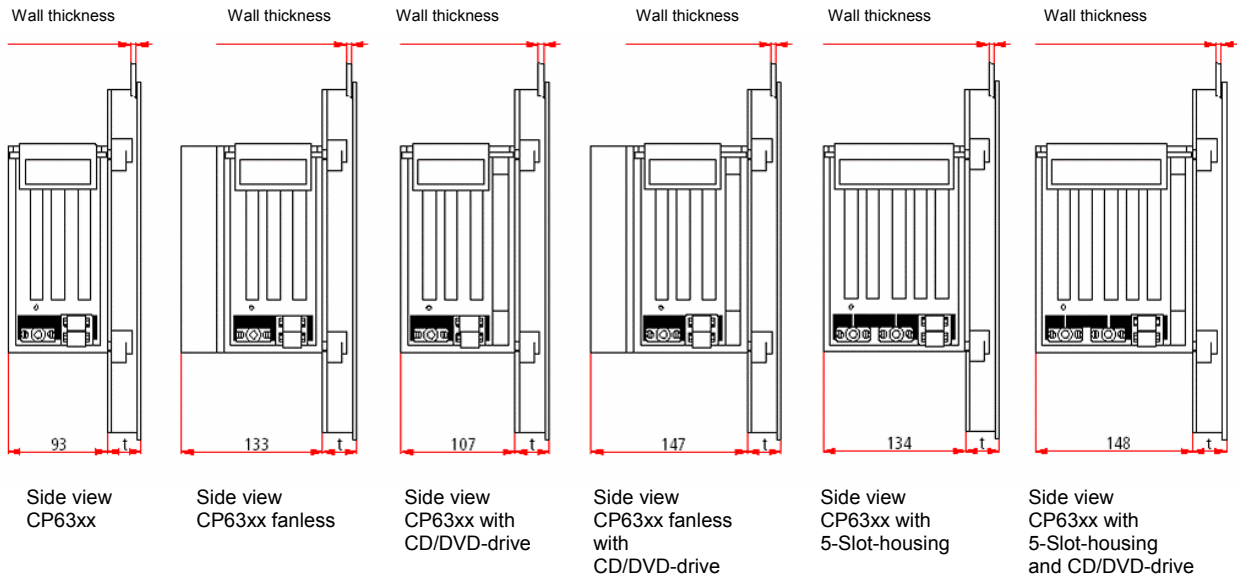
If servicing is required, please quote the **project number** of your Industrial PC.

Assembly dimensions

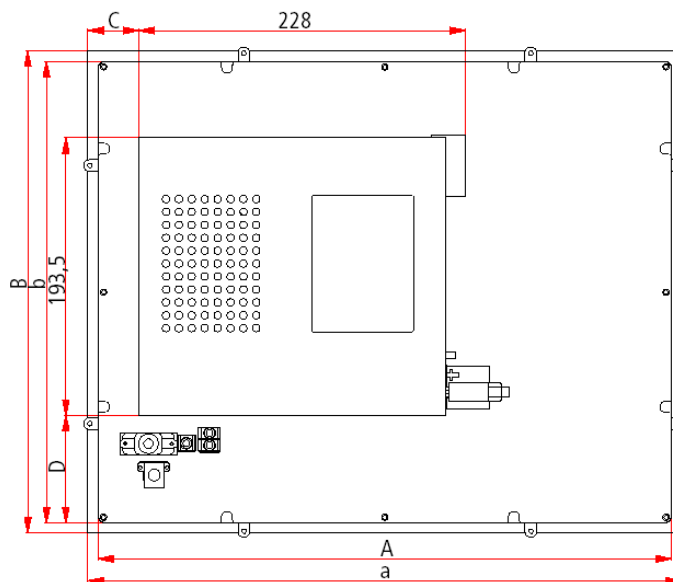
The following pages show diagrams of the Panel PCs, with dimensions in mm.



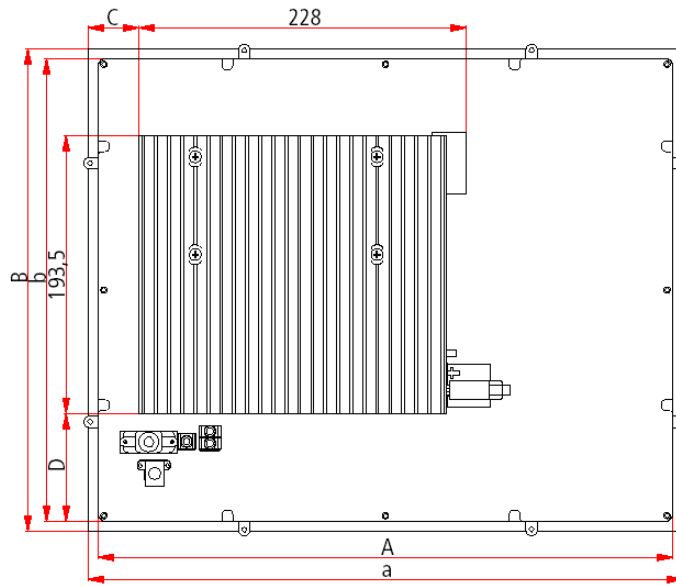
The assembly of the unit must take place with the orientation diagrammed here.



Rear view
CP63xx



Rear view C63xx
fanless



Display only		a	b	t	A	B	C	D
CP6300	10"-Display	370	336	32	356	322	40	85
CP6301	12"-Display	372.2	342.2	32	358.2	328.2	38	83
CP6302	15"-Display	430.4	403	32	416.4	389	37	88
CP6303	19"-Display	508.4	463	43	494.4	449	37	110

With function keys		A	B	t	A	B	C	D
CP6310	10"-Display	370	336	32	356	322	40	85
CP6311	12"-Display	372.2	342.2	32	358.2	328.2	38	83
CP6312	15"-Display	430.4	403	32	416.4	389	37	88
CP6313	19"-Display	508.4	463	43	494.4	449	39	85

Numeric keypad		A	B	t	A	B	C	D
CP6320	10"-Display	414	336	32	400	322	38	86
CP6321-0000/1	12"-Display	414	336	32	400	322	38	86
CP6321-0002	12"-Display	444.2	336	32	430.2	322	72	86
CP6322	15"-Display	519.4	378.2	32	505.4	364.2	38	78
CP6323	19"-Display	567.4	434	43	553.4	420	44	95

Alphanumeric keypad		A	B	t	A	B	C	D
CP6330	10"-Display	410.4	378.2	32	396.4	364.2	38	123
CP6331-0000/1	12"-Display	410.4	378.2	32	396.4	364.2	38	123
CP6331-0002	12"-Display	430.4	378.2	32	416.4	364.2	38	83
CP6332	15"-Display	489.4	418.2	32	475.4	404.2	62	133
CP6333	19"-Display	508.4	543	43	494.4	529	69	165

Appendix

Technical data

<i>Dimensions</i>	Dimensions (W x H x D): 226 x 196 x 93 mm (without Control Panel) with CD-ROM (W x H x D): 226 x 196 x 107 mm (without Control Panel) Weight: 9.5 kg (basic configuration)
<i>Do not use the PC in areas of explosive hazard</i>	The Industrial PC may not be used in areas of explosive hazard.
<i>Environmental conditions</i>	The following conditions must be observed during operation: Ambient temperature: 0 to 55°C Atmospheric humidity: Maximum 95%, non-condensing
<i>Shock resistance</i>	Sinusoidal vibration: (EN 60068-2-6) 10 to 58 Hz: 0.035 mm 58 to 500 Hz: 0.5 G (~ 5 m/ s ²) During reading of CD-ROM: 10 to 58 Hz: 0.019 mm 58 to 500 Hz: 0.25 G (~ 2.5 m/ s ²) Impact: (EN 60068-2-27/ -29) 5 G (~ 50 m/ s ²), duration: 30 ms During reading of CD-ROM: 5 G (~ 50 m/ s ²), duration: 11 ms
<i>Protection class</i>	Front side: IP65 Rear side: IP20
<i>Power supply</i> <i>24 V_{DC} power pack</i>	Supply voltage: 24 V _{DC} (22 – 30 V _{DC}) Power consumption: approx. 75 W with 10" display approx. 77 W with 12" display approx. 88 W with 15" display approx. 94 W with 19" display If operated with UPS: additional 30 W (while charging) additional 44 W (UPS-output max.)
<i>Electromagnetic Compatibility (EMC)</i>	Interference resistance: according to EN 61000-6-2 Emitted resistance: according to EN 61000-6-4
<i>Transport and storage</i>	The same values for atmospheric humidity and shock resistance are to be observed during transport and storage as in operation. The shock resistance during transport can be improved by means of suitably packing the Industrial PC. The ambient temperature during storage and transport must be between -20°C and +65°C.



Note

Pixel errors in the TFT display are production-caused and represent no complaint-reason!

Approvals

FCC: Federal Communications Commission Radio Frequency Interference Statement

FCC Approval for USA

This equipment has been tested and found to comply with the limits for a Class A digital device, pursuant to Part 15 of the FCC Rules. These limits are designed to provide reasonable protection against harmful interference when the equipment is operated in a commercial environment. This equipment generates, uses, and can radiate radio frequency energy and, if not installed and used in accordance with the instruction manual, may cause harmful interference to radio communications. Operation of this equipment in a residential area is likely to cause harmful interference in which case the user will be required to correct the interference at his own expense.

FCC: Canadian Notice

FCC Approval for Canada

This equipment does not exceed the Class A limits for radiated emissions as described in the Radio Interference Regulations of the Canadian Department of Communications.