

BECKHOFF New Automation Technology

Manual | EN

C6032

Industrial PC



Table of contents

1	Notes on the documentation	5
2	For your safety	6
2.1	Signal words	6
2.2	Intended use	6
2.3	Fundamental safety instructions	7
2.4	Operator's obligation to exercise diligence	7
2.5	Notes on information security	8
3	Product overview	9
3.1	Structure	10
3.2	Interface description	11
3.2.1	Power supply	11
3.2.2	Ethernet RJ45	12
3.2.3	USB	14
3.2.4	DisplayPort	15
3.3	Optional interfaces	16
3.3.1	USB 3.0 PCIe compact module	16
3.3.2	Ethernet RJ45 PCIe compact module	17
3.3.3	RS232 PCIe compact module	19
3.3.4	RS422 PCIe compact module	20
3.3.5	RS485 PCIe compact module	21
3.3.6	CP-Link 4 PCIe compact module	22
3.4	Status LEDs	24
3.4.1	UPS-OCT LED	24
3.4.2	PWR LED	25
3.4.3	HDD LED	25
3.4.4	TC LED	25
3.5	Name plate	27
4	Commissioning	28
4.1	Transport and unpacking	28
4.2	Control cabinet installation	29
4.2.1	Mounting options	30
4.2.2	Dimensions	32
4.2.3	Installation in the control cabinet	32
4.3	Connecting the industrial PC	34
4.3.1	Grounding of the Industrial PC	35
4.3.2	Connecting cables and power supply	36
4.4	Switching the industrial PC on and off	37
5	Beckhoff Device Manager	38
6	Decommissioning	40
6.1	Disconnecting the power supply and cables	40
6.2	Disassembly and disposal	41
7	Maintenance	42
7.1	Cleaning	42

7.2	Maintenance.....	43
7.2.1	Replacing the battery	45
7.2.2	Replacing the storage media	47
7.2.3	Replacing the fan	49
8	Troubleshooting	50
9	Technical data	51
10	Appendix	52
10.1	Service and support	52
10.2	Approvals	53

1 Notes on the documentation

This description is only intended for the use of trained specialists in control and automation engineering who are familiar with the applicable national standards.

The following instructions and explanations must be followed during installation and commissioning of the components. The responsible staff must ensure that the application or use of the products described satisfy all the requirements for safety, including all the relevant laws, regulations, guidelines and standards.

Disclaimer

The documentation has been prepared with care. The products described are, however, constantly under development. For that reason the documentation is not in every case checked for consistency with performance data, standards or other characteristics. In the event that it contains technical or editorial errors, we retain the right to make alterations at any time and without warning. No claims for the modification of products that have already been supplied may be made on the basis of the data, diagrams, and descriptions in this documentation. All illustrations shown are only examples. The configurations depicted may deviate from the standard.

Trademarks

Beckhoff®, TwinCAT®, TwinCAT/BSD®, TC/BSD®, EtherCAT®, EtherCAT G®, EtherCAT G10®, EtherCAT P®, Safety over EtherCAT®, TwinSAFE®, XFC®, XTS® and XPlanar® are registered and licensed trademarks of Beckhoff Automation GmbH.

Other designations used in this publication may be trademarks whose use by third parties for their own purposes could violate the rights of the owners.

Patents

The EtherCAT Technology is covered, including but not limited to the following patent applications and patents: EP1590927, EP1789857, EP1456722, EP2137893, DE102015105702 and similar applications and registrations in several other countries.

Copyright

© Beckhoff Automation GmbH & Co. KG. Publication of this document on websites other than ours is prohibited. Offenders will be held liable for the payment of damages. All rights reserved in the event of the grant of a patent, utility model or design.

Delivery state

All the components are supplied in particular hardware and software configurations appropriate for the application. Changes to the hardware or software configuration are permitted, provided they are within the specified limits for power consumption and power loss (please refer to the respective data sheet).

Currentness

Please check whether you are using the current and valid version of this document. The current version is always available for download from the Beckhoff website. In case of doubt, contact Technical Support.

Delivery conditions

In addition, the general delivery conditions of the company Beckhoff Automation GmbH & Co. KG apply.

2 For your safety

The signal words and their meanings are explained in the chapter on safety. They contain fundamental safety instructions that are essential for the avoidance of personal injuries and damage to property.

Exclusion of liability

Beckhoff shall not be liable in the event of non-compliance with this documentation and thus the use of the devices outside the documented operating conditions.

2.1 Signal words

The signal words used in the documentation are classified below.

Warning of personal injuries

DANGER

Hazard with high risk of death or serious injury.

WARNING

Hazard with medium risk of death or serious injury.

CAUTION

There is a low-risk hazard that can result in minor injury.

Warning of property and environmental damage

NOTICE

There is a possibility of damage to the environment, equipment or data.

2.2 Intended use

The the Industrial PC is intended for use as a control system for automation, visualization and communication in machine and system engineering.

The device has been developed for an IP20 working environment. This involves finger protection and protection against solid foreign objects up to 12.5 mm. There is no protection against water. Operation of the devices in wet and dusty environments is not permitted.

The specified limits for technical data must be adhered to.

The device can be used within the documented operating conditions.

Improper use

Do not use the device outside the documented operating conditions.

2.3 Fundamental safety instructions

The following safety instructions must be observed when handling the the Industrial PC.

Application conditions

- Do not use the device under extreme environmental conditions.
- Only use the device in hazardous areas if it is explicitly designed for this purpose.
- Do not carry out any work on the device while it is live. Always switch off the supply voltage for the device before mounting it, replacing device components or rectifying malfunctions. This does not apply to the replacement of hard disks in a RAID configuration.
- Never plug or unplug connectors during thunderstorms. There is a risk of electric shock.
- Ensure that the device has a protective and functional earth connection.

Damage to property, loss of data and impairment of functions

- If you change the hardware and software configurations, you must keep within the specified limits of power consumption and power loss (please refer to the respective data sheet).
- Ensure that only trained specialists with a control and automation engineering background, operate the device. Use by unauthorized persons can lead to damage to property and loss of data.
- In the case of a 24 V DC power supply unit, fuse the power supply line according to its cross-section to protect the supply line in the event of a short circuit.
- In case of fire, extinguish the device with powder or nitrogen.

2.4 Operator's obligation to exercise diligence

The operator must ensure that

- the products are used only for their intended purpose (see Chapter 2.2 [Intended use](#) [▶ 6]).
- the products are only operated in sound condition and in working order.
- the products are operated only by suitably qualified and authorized personnel.
- the personnel is instructed regularly about relevant occupational safety and environmental protection aspects, and is familiar with the operating instructions and in particular the safety instructions contained herein.
- the operating instructions are in good condition and complete, and always available for reference at the location where the products are used.

2.5 Notes on information security

The products of Beckhoff Automation GmbH & Co. KG (Beckhoff), insofar as they can be accessed online, are equipped with security functions that support the secure operation of plants, systems, machines and networks. Despite the security functions, the creation, implementation and constant updating of a holistic security concept for the operation are necessary to protect the respective plant, system, machine and networks against cyber threats. The products sold by Beckhoff are only part of the overall security concept. The customer is responsible for preventing unauthorized access by third parties to its equipment, systems, machines and networks. The latter should be connected to the corporate network or the Internet only if appropriate protective measures have been set up.

In addition, the recommendations from Beckhoff regarding appropriate protective measures should be observed. Further information regarding information security and industrial security can be found in our <https://www.beckhoff.com/secguide>.

Beckhoff products and solutions undergo continuous further development. This also applies to security functions. In light of this continuous further development, Beckhoff expressly recommends that the products are kept up to date at all times and that updates are installed for the products once they have been made available. Using outdated or unsupported product versions can increase the risk of cyber threats.

To stay informed about information security for Beckhoff products, subscribe to the RSS feed at <https://www.beckhoff.com/secinfo>.

3 Product overview

The C6032 Industrial PC is part of the series of ultra-compact industrial PCs for space-saving control cabinet installation. It is a high-performance device with a modular design. The second board level for modular interface and function extensions enables adaptation to specific applications and requirements. Various compact PCIe modules are available as ordering options for this.

Thanks to the available processors, the industrial PC can be used for the following applications, among others:

- diverse automation and visualization tasks
- wide range of IoT tasks with data preprocessing
- complicated HMI applications
- extensive axis controllers
- short cycle times
- high-volume data handling
- other PC applications

The basic configuration of the C6032 includes the following aspects:

- Intel® processor
- 2 x DRAM SODIMM
- M.2-SSD
- 24 V DC power supply unit
- 2 PCIe compact module slots for the insertion of Beckhoff PCIe compact modules ex factory

The device can be extended with additional interfaces.

3.1 Structure

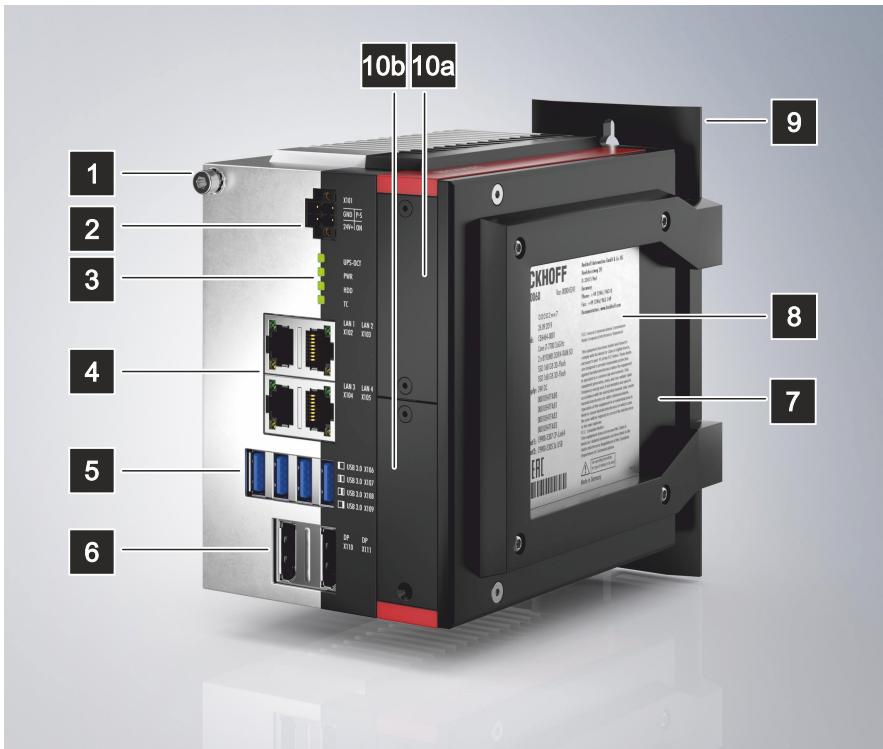


Fig. 1: Structure – basic configuration

Table 1: Legend - C6032 structure

No.	Component	Description
1	Protective conductor connection PE	Low-resistance protective earthing and functional earthing of the industrial PC
2	Power supply (X101)	Connection of the power supply and external wiring of the industrial PC
3	Status LEDs	Status display for UPS-OCT, power, hard disk, TwinCAT
4	Ethernet interfaces RJ45 (X102 - X105)	Connection of the industrial PC to a 100/1000BASE-T network
5	USB interfaces (X106-109)	Connection of peripheral devices
6	DisplayPorts (X110, X111)	Transmission of the video signal
7	Side cover	Access to battery and storage media
8	Name plate	Information on the equipment of the industrial PC
9	Mounting plate	Plate for mounting the industrial PC over the narrow sides in the control cabinet
10a	PCIe module slot 1	Slot for Beckhoff PCIe compact modules
10b	PCIe module slot 2	Slot for Beckhoff PCIe compact modules

3.2 Interface description

In the basic configuration, the C6032 includes the following interfaces:

- Power supply (X101)
- Ethernet RJ45 (X102-X105)
- USB (X106-X109)
- DisplayPorts (X110, X111)

3.2.1 Power supply

The industrial PC is supplied with a nominal voltage of 24 V. The 2x2-pin voltage socket (X101) is used for connection to the power supply and the external wiring of the industrial PC. The main supply voltage is applied between PIN 3 (0 V) and PIN 4 (24 V) of the socket.

A maximum cable length of 30 m is permissible for the Power Status output.

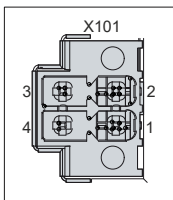


Fig. 2: Voltage socket pin numbering

Table 2: Voltage socket pin assignment

Pin	Signal	Description
1	PC-ON	Input PC-ON
2	P-S	Power status output
3	GND	0 V
4	24 V	Power supply

The plug for the power supply is specified for 8 A and can accommodate wire cross-sections of up to 1.5 mm². For long supply lines, use 1.5 mm² cables to achieve a low voltage drop on the supply lines. There should be at least 22 V at the power supply plug of the industrial PC, so that the industrial PC remains switched on during voltage fluctuations. The plug is included in the delivery. You can obtain a replacement plug from your Beckhoff Sales using the following ordering option:

- C9900-P943: power supply connector for C60xx Industrial PC

3.2.2 Ethernet RJ45

The C6032 has four Gigabit LAN ports (X102-X105). The 100Base-T, 1000Base-T and 2500Base-T Ethernet standards enable the connection of corresponding network components and data rates of 100/1000/2500 Mbit/s. The required speed is selected automatically.

The RJ45 connection technology with twisted-pair cables is used. The maximum length of the cable connection is 100 m.

The controllers are used as follows, based on the device generation:

Table 3: Controller classification based on device generation

Device generation	Controller	Mbit/s
C6032-0060	Intel® i219 (PHY) for LAN1 and Intel® i210 (MAC/PHY) for LAN2-LAN4	100/1000
C6032-0070	Intel® i219 (PHY) for LAN1 and Intel® i210 (MAC/PHY) for LAN2-LAN4	100/1000
C6032-0080	Intel® i219 (PHY) for LAN1 and Intel® i226 (MAC/PHY) for LAN2-LAN4	100/1000/2500

The Ethernet ports (X103-X105, LAN2-LAN4) connected via PCIe with the i210/i226 controller are suitable for cycle times ≤ 1 ms and for distributed clock applications with EtherCAT.

The Ethernet port (X102, LAN1) i219 integrated in the chipset is suitable for real-time Ethernet applications with cycle times > 1 ms (without distributed clocks).

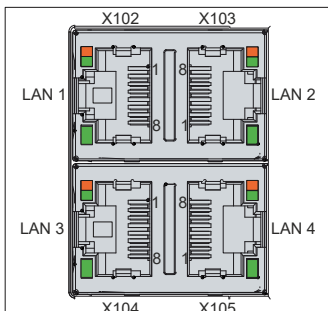


Fig. 3: Ethernet interface pin numbering

Table 4: Ethernet interface pin assignment

Pin	Signal	Description
1	T2 +	Pair 2
2	T2 -	
3	T3 +	Pair 3
4	T1 +	
5	T1 -	Pair 1
6	T3 -	
7	T4 +	Pair 4
8	T4 -	

The LEDs of the LAN interfaces indicate the activity and the data transmission rate (Mbit/s). The LED shown completely green in the figure indicates whether the interface is connected to a network. If this is the case, the LED lights up green. The LED flashes green when data transmission is in progress on the interface.

The green/orange LED shown in the figure indicates the data transmission rate. The device generations differ in terms of the possible data transmission rate. The following tables show the LED meanings according to the possible data transmission rate.

Table 5: LED meaning speed 100/1000 Mbit/s

Mbit/s	LED
100	Lights-up orange
1000	Lights up green

Table 6: LED meaning speed 100/1000/2500 Mbit/s

Mbit/s	LED
100	Off
1000	Lights-up orange
2500	Lights up green

3.2.3 USB

The industrial PC has four USB interfaces (X106-X109). They are used to connect peripheral devices with USB interfaces. The following table shows the interface assignment based on the device generation:

Table 7: USB interfaces based on device generation

Device generation	USB interfaces
C6032-0060	4x USB 3.0 (X106-X109)
C6032-0070	4x USB 3.0 (X106-X109)
C6032-0080	2x USB 3.2 Gen. 2 (X108-X109) 2x USB 3.2 Gen. 1 (X106-X107)

Each of the four USB interfaces supplies up to 900 mA current and is electronically fused. USB ports A and B and USB ports C and D are each protected by a common overcurrent detection. If an overcurrent occurs at one of the ports, the two jointly protected USB ports are switched off.

For the device generation C6032-0070, USB port X108 is only compatible with USB 3.0.

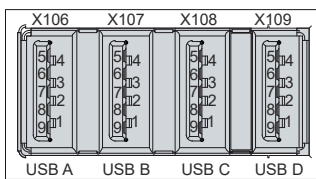


Fig. 4: USB interface pin numbering

Table 8: USB interface pin assignment

Pin	Connection
1	Vbus
2	D -
3	D +
4	GND
5	StdA_SSRX -
6	StdA_SSRX +
7	GND_DRAIN
8	StdA_SSTX -
9	StdA_SSTX +

3.2.4 DisplayPort

The industrial PC has two DisplayPorts (X110, X111) that enable connection of devices with DisplayPort. It facilitates transfer of image signals.

In addition, DVI signals can be transferred via an adapter. Please order it from your Beckhoff sales team, quoting order identifier C9900-Z468 adapter cable DisplayPort to DVI, 40 cm.

DisplayPort signals are led out via the interface by default. With the use of a level shifter cable the board switches the DisplayPort specification automatically to HDMI signals.

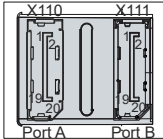


Fig. 5: DisplayPort pin numbering

Table 9: Pin assignment of DisplayPort

Pin	Connection	Pin	Connection
1	LVDS lane 0 +	2	Ground
3	LVDS lane 0 -	4	LVDS lane 1 +
5	Ground	6	LVDS lane 1 -
7	LVDS lane 2 +	8	Ground
9	LVDS lane 2 -	10	LVDS lane 3 +
11	Ground	12	LVDS lane 3 -
13	Config 1	14	Config 2
15	AUX channel +	16	Ground
17	AUX channel -	18	Hot-plug detection
19	Power supply: ground	20	Power supply: 3.3 V / 500 mA

3.3 Optional interfaces

You can extend the industrial PC beyond the basic configuration by additional interfaces. The following PCIe compact modules are available to you for this:

- USB 3.0 (order identifier: C9900-E305)
- Ethernet RJ45 (order identifier: FC9082)
- Ethernet RJ45 (order identifier: FC9282)
- RS232 (order identifier: C9900-E306)
- RS422 (order identifier: C9900-E313)
- RS485 (order identifier: C9900-E312)
- CP-Link 4 (order identifier: C9900-E307);
can only be used in PCIe module slot 1

Further modules are available on request. Any modules that are ordered are installed ex factory. Only Beckhoff PCIe compact modules are compatible with the device. The use of other Beckhoff modules or modules from other suppliers is prohibited.

If you bought the device with the basic configuration, you can extend it later by the modules mentioned above. To do this, replace the blank covers with the modules by undoing the two Torx TX8 screws of the covers and tightening them again after inserting the modules.

3.3.1 USB 3.0 PCIe compact module

The USB 3.0 PCIe compact module includes two USB ports with a data transfer rate of up to 5 Gbit/s according to the USB 3.0 specification. Each port supplies up to 1 A power and is electronically protected.

They are used to connect peripheral devices with USB interfaces. Compatibility with all USB standards is assured.

The module requires Windows Embedded Standard 7, Windows 7 or Windows 10.

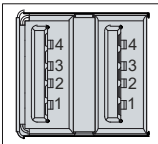


Fig. 6: USB interfaces pin numbering

Table 10: USB interface pin assignment

Pin	Connection
1	Vbus
2	D -
3	D +
4	GND
5	StdA_SSRX -
6	StdA_SSRX +
7	GND_DRAIN
8	StdA_SSTX -
9	StdA_SSTX +

3.3.2 Ethernet RJ45 PCIe compact module

You have two Ethernet PCIe compact modules at your disposal:

Table 11: Ordering options Ethernet PCIe compact modules

Order identifier	Version
FC9082	Gigabit Ethernet PCIe compact module for PCs with Beckhoff PCIe compact module slots, 2-channel, PCI Express-x1 bus
FC9282	2.5 Gigabit Ethernet PCIe compact module for PCs with Beckhoff PCIe compact module slots, 2-channel, PCI Express-x1 bus

The two Ethernet ports connected via PCIe enable the connection of appropriate network components with data rates of 100/1000 Mbit/s or 100/1000/2500 Mbit/s in accordance with the Ethernet standards 100Base-T and 1000Base-T or 100BASE-T, 1000BASE-T and 2500BASE-T. The required speed is selected automatically.

The RJ45 connection technology with twisted-pair cables is used. The maximum length of the cable connection is 100 m.

The Ethernet ports are not switched. They are suitable for cycle times ≤ 1 ms and for distributed clock applications in EtherCAT.

The controllers are assigned as follows according to the module option:

Table 12: Controller assignment Module options

Module	Controller
FC9082	Intel® i210 (MAC/PHY) for the two ports
FC9282	Intel® i226 (MAC/PHY) for the two ports

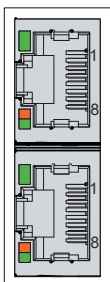


Fig. 7: Ethernet interface pin numbering

Table 13: Ethernet interface pin assignment

Pin	Signal	Description
1	T2 +	Pair 2
2	T2 -	
3	T3 +	Pair 3
4	T1 +	Pair 1
5	T1 -	
6	T3 -	Pair 3
7	T4 +	Pair 4
8	T4 -	

The LEDs of the LAN interfaces indicate the activity and the data transmission rate (Mbit/s). The LED shown completely green in the figure indicates whether the interface is connected to a network. If this is the case, the LED lights up green. The LED flashes green when data transmission is in progress on the interface.

The green/orange LED shown in the figure indicates the data transmission rate. The Ethernet PCIe compact modules differ in terms of the possible data transmission rate. The following tables show the LED meanings according to the possible data transmission rate.

Table 14: LED meaning speed 100/1000 Mbit/s

Mbit/s	LED
100	Lights-up orange
1000	Lights up green

Table 15: LED meaning speed 100/1000/2500 Mbit/s

Mbit/s	LED
100	Off
1000	Lights-up orange
2500	Lights up green

3.3.3 RS232 PCIe compact module

The RS232 interfaces contain two galvanically isolated sockets ix Industrial® type B. Two adapter cables ix Industrial® type B to D-Sub, 9-pin are required (order designation C9900-K920). The adapter cables are 45 cm long. The interface provides an asynchronous, serial communication method defined in the RS232 standard.

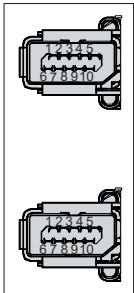


Fig. 8: RS232 pin numbering

Table 16: RS232 pin assignment

Pin	Connection
1	DCD#
2	RXD
3	TXD
4	DTR#
5	GND
6	DSR#
7	RTS#
8	CTS#
9	RI#
10	N/C

3.3.4 RS422 PCIe compact module

The RS422 PCIe compact module contains two electrically isolated ix Industrial® type B sockets for high-speed serial data transmission. Two ix Industrial® type B to D-Sub, 9-pin adapter cables are required (order identifier C9900-K922). The adapter cables are 45 cm long. The signal transfer takes place symmetrically.

The channels are protected by a common overvoltage protection. If an overvoltage occurs at one of the channels, both channels are switched off.

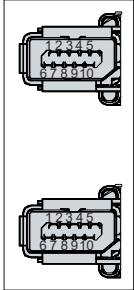


Fig. 9: RS422 pin numbering

Table 17: RS422 pin assignment

Pin	Signal	Type	Description
1	N/C	-	Not used
2	TxD +	Data-Out +	Transmit 422
3	RxD +	Data-In +	Receive 422
4	N/C	-	Not used
5	GND	Ground	Ground
6	VCC	VCC	+5 V
7	TxD -	Data-Out -	Transmit 422
8	RxD -	Data-In -	Receive 422
9	N/C	-	Not used
10	N/C	-	Not used

On delivery the interface is configured as a full duplex endpoint as standard – see table below:

Table 18: RS422 standard configuration

Function	State
Echo	on
Auto send	off
Always send	on
Auto receive	off
Always receive	on
Termination	on

3.3.5 RS485 PCIe compact module

The RS485 PCIe compact module contains two electrically isolated ix Industrial® type B sockets for asynchronous, serial high-speed data transmission. Two ix Industrial® type B to D-Sub, 9-pin adapter cables are required (order identifier C9900-K922). The adapter cables are 45 cm long. The signal transfer takes place symmetrically.

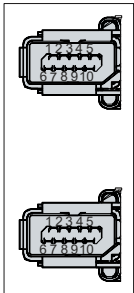


Fig. 10: RS485 pin numbering

Table 19: RS485 pin assignment

Pin	Signal	Type	Description
1	N/C	-	Not used
2	TxD +	Data-Out +	Transmit 485
3	RxD +	Data-In +	Receive 485
4	N/C	-	Not used
5	GND	Ground	Ground
6	VCC	VCC	+5 V
7	TxD-	Data-Out -	Transmit 485
8	RxD-	Data-In -	Receive 485
9	N/C	-	Not used
10	N/C	-	Not used

Pins 2 and 3 (data +) and pins 7 and 8 (data -) must be connected.

On delivery the interface is configured as a half-duplex endpoint without echo as standard – see table below:

Table 20: RS485 standard configuration

Function	State
Echo	off
Auto send	on
Always send	off
Auto receive	on
Always receive	off
Termination	on

3.3.6 CP-Link 4 PCIe compact module

The PCIe compact module contains a CP-Link 4 output with RJ45 socket, which enables operation of remote operating units. An operating panel with CP-Link 4 interface and an industrial PC can be connected at a distance of up to 100 m.

Please observe that the CP-Link 4-PCIe compact module can only be operated in the PCIe module slot 1 (see chapter 3.1 [Structure \[► 10\]](#)).

The CP-Link 4 technology is supported by the Beckhoff multi-touch Panel series CP29xx-0010 (built-in devices) and CP39xx-0010 (mounting arm devices).

CP-Link 4 as PCIe module is available as two-cable display link. The industrial PC can be connected directly to the control panel via the module. USB 2.0 (100 Mbit/s) and DVI are transmitted together via a CP-Link 4 cable. An additional 24 V power supply is required for the panel (see Fig. 11).

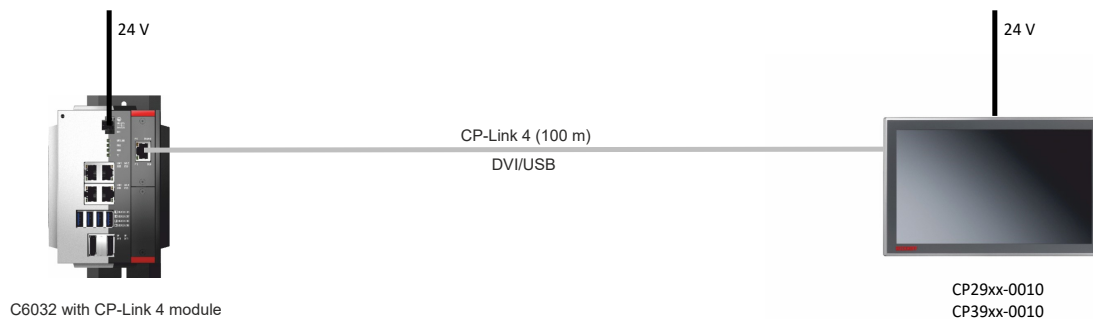


Fig. 11: CP-Link 4

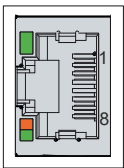


Fig. 12: CP-Link 4 pin numbering

Table 21: CP-Link 4 pin assignment

Pin	Signal	Description
1	0 +	Pair 0
2	0 -	
3	1 +	Pair 1
4	2 +	
5	2 -	Pair 1
6	1 -	
7	3 +	Pair 3
8	3 -	

No special drivers or software are required for CP-Link 4.

CP-Link 4 with transmitter box

NOTICE

Material damage due to double voltage connection with CU8803

Connecting an additional power supply to the voltage socket of the control panel can cause damage to the panel.

- Power the control panel exclusively via One Cable Display Link through the CU8803 transmitter box.
- When using the CU8803 transmitter box, never connect an additional power supply to the voltage socket of the control panel.
- Only connect an additional power supply to the voltage socket of the control panel when using the CU8802 transmitter box.

If the industrial PC is not equipped with a PCIe module, a transmitter box is required for connecting a panel. The transmitter boxes CU8802-0000 (two-cable display link) and CU8803-0000 (one-cable display link) are available for this purpose.

With the CU8802-0000, the industrial PC is connected to the transmitter box via USB and DP/DVI. The transmitter box is then connected to the control panel via the CP-Link 4 connection of the transmitter box using a CP-Link 4 cable. USB and DVI are transmitted together via this cable. An additional power supply is required for the panel (Two Cable Display Link). Fig. 13 shows the wiring with the CU8802-0000.

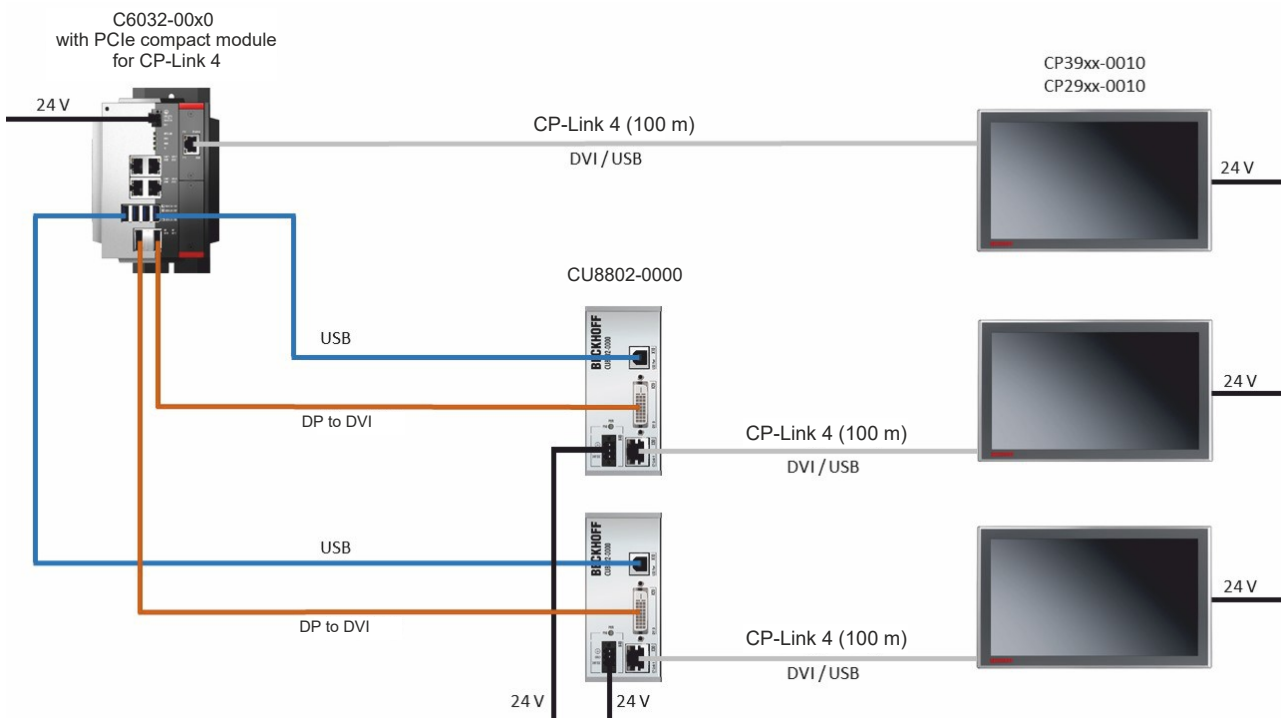


Fig. 13: CP-Link 4, CU8802

With the CU8803-0000, the industrial PC is also connected to the transmitter box via USB and DP/DVI. The transmitter box is then connected to the control panel via the CP-Link 4 connection of the transmitter box using a CP-Link 4 cable. With this box, USB, DP/DVI and power supply can be transmitted together via the cable (One Cable Display Link). Do not connect an additional power supply to the control panel to avoid damage. Fig. 14 shows the wiring with the CU8803-0000.

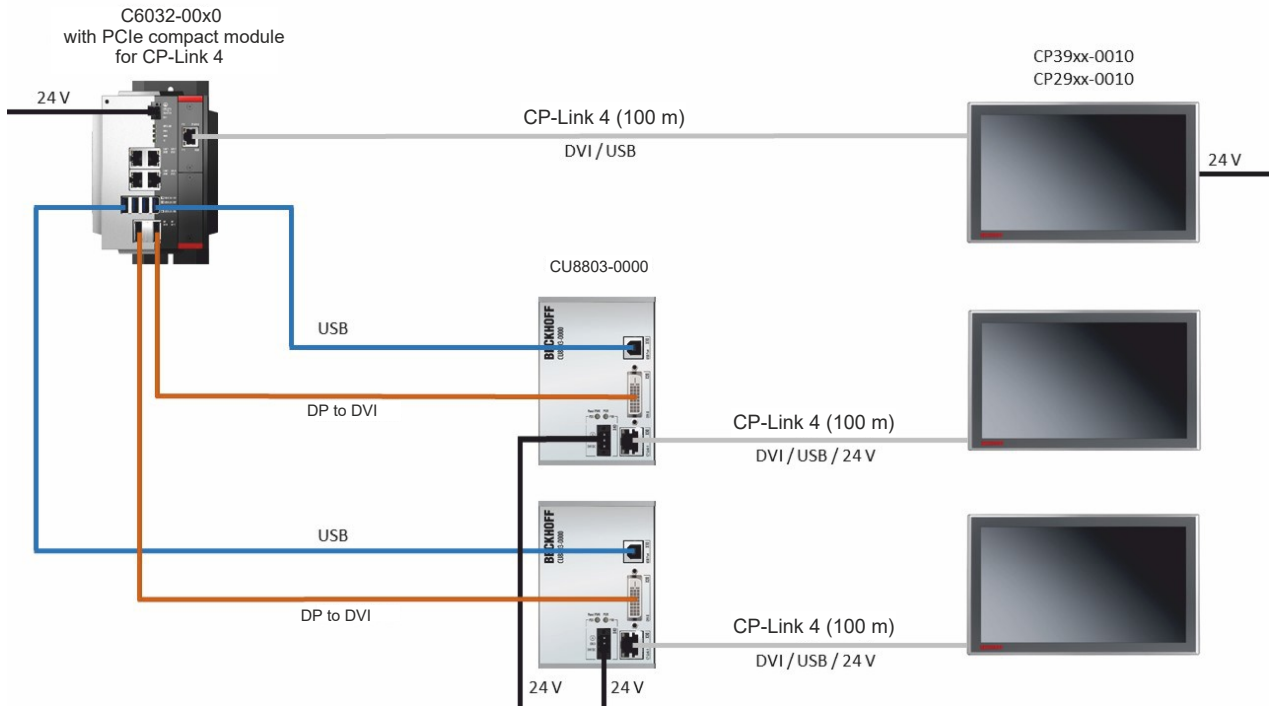


Fig. 14: CP-Link 4, CU8803

3.4 Status LEDs

The industrial PC has four status LEDs: UPS-OCT, PWR, HDD, TC. They provide information on the following aspects:

- the transmission quality of the UPS-OCT signals
- the status of the power controller
- the hard disk activity
- the TwinCAT status

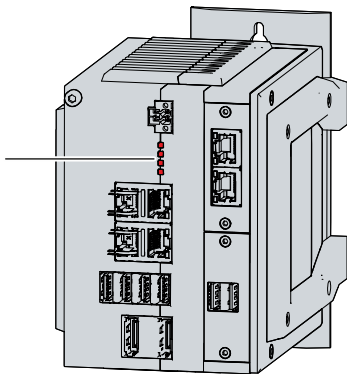


Fig. 15: Status LEDs

3.4.1 UPS-OCT LED

The UPS-OCT LED indicates the transmission quality of the UPS-OCT signals. UPS stands for the uninterruptible power supply. One-cable technology (OCT) enables the communication between PC and UPS to be transmitted together with the power supply, so that only one cable is required.

The colors and flashing intervals have the following meanings:

Table 22: Meaning of the UPS-OCT LED

Color	Flashing interval	Meaning
None	Steadily lit	No UPS-OCT connected
Blue	Flashing	Bootloader active
Yellow	Steadily lit	Moderate signal quality
Green	Steadily lit	Good signal quality
Red	Steadily lit	Poor signal quality

3.4.2 PWR LED

The PWR (power) LED indicates the status of the power controller. The colors and flashing intervals have the following meanings:

Table 23: Meaning of the PWR LED

Color	Flashing interval	Meaning
None	Steadily lit	PC is off
White	Steadily lit	VCC power fail
Magenta	Steadily lit	S UPS active (if existent)
Yellow	Steadily lit	Windows shut down, supply voltage still present
Green	Steadily lit	Normal operation
Red	Steadily lit	Reset/power fail
Green/yellow	Flashing	Bootloader running without error
Red/yellow	Flashing	Bootloader is starting (start sequence is being run through)
Magenta	Flashing (0.5 s)	S UPS capacitance test (if S UPS exists)
Red/magenta	Flashing	Checksum error during the I2C transmission in the bootloader
Cyan	Flashing (2 s)	contact Beckhoff Service

3.4.3 HDD LED

The HDD LED indicates the activity of the storage medium. The colors and flashing intervals have the following meanings:

Table 24: Meaning of the HDD LED

Color	Flashing interval	Meaning
Red	Flashing	Activity (access to storage medium)

The activity of NVM Express™ SSDs is not displayed via the HDD LED.

3.4.4 TC LED

The TC LED indicates the TwinCAT status. The colors and flashing intervals have the following meanings:

Table 25: Meaning of the TC LED

Color	Flashing interval	Meaning
Green	Steadily lit	TwinCAT Run Mode
Blue	Steadily lit	TwinCAT Config Mode
Red	Steadily lit	TwinCAT Stop
-	-	TwinCAT not started

3.5 Name plate

The name plate provides information on the equipment fitted to the industrial PC. The name plate shown here serves only as an example.

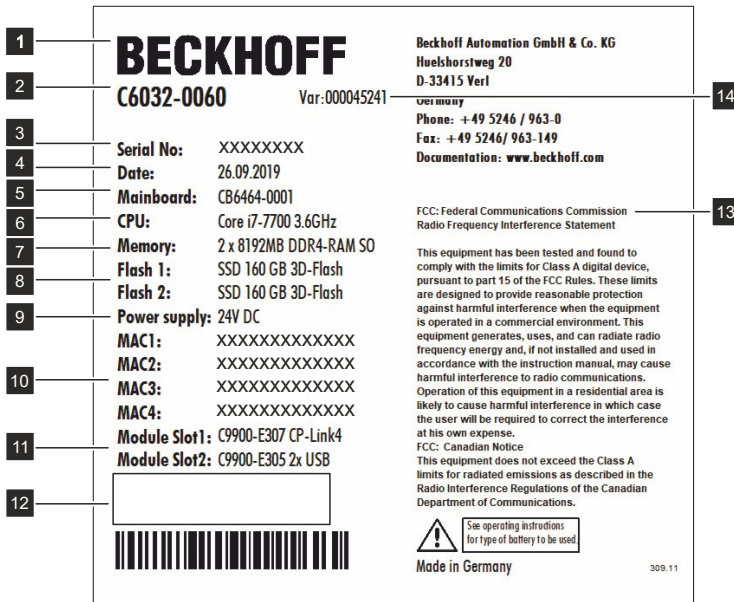




Fig. 16: Name plate

Table 26: Legend C6032 name plate

No.	Description
1	Manufacturer, including address
2	Model: The last four digits indicate the device generation.
3	Serial number (BTN)
4	Date of manufacture
5	Mainboard
6	CPU
7	Main memory
8	SSD
9	Power supply: 24 VDC, NEC class 2
10	MAC addresses of the Ethernet interfaces (X102-X105)
11	Optional PCIe compact modules
12	Symbols <div style="text-align: right;">  </div> Note: Here are the symbols applicable to the device such as CE, EAC, UKCA,  . The approvals of your device can be found on the name plate and in chapter 10.2 Approvals.
13	FCC approval
14	Variant number: commercial number of the order code including ordering options

4 Commissioning

To be able to use the industrial PC, you must first commission it. The first step is to transport the device to its operating location and unpack it. This is followed by installing the device in the control cabinet, connecting the cables and the power supply and finally switching on the industrial PC.

4.1 Transport and unpacking

Note the specified transport and storage conditions (see Chapter 9 [Technical data](#) [► 51]).

Despite the robust design of the unit, the components are sensitive to strong vibrations and impacts. Transporting a control cabinet with a built-in PC can result in excessive impact on the industrial PC. During transport the device must therefore be protected from excessive mechanical stress. Appropriate packaging of the industrial PC, in particular the original packaging, can improve the vibration resistance during transport.

NOTICE

Hardware damage due to condensation

Unfavorable weather conditions during transport can cause damage to the device.

- Protect the device against moisture (condensation) during transport in cold weather or in case of extreme temperature fluctuations.
- Do not put the device into operation until it has slowly adjusted to the room temperature.
- Should condensation occur, wait for about 12 hours before switching the device on.

Unpacking

Proceed as follows to unpack the unit:

1. Remove packaging.
2. Keep the packaging for possible future transport.
3. Check your delivery for completeness by comparing it with your order.
4. Check the contents for visible shipping damage.
5. In case of discrepancies between the package contents and the order, or in case of transport damage, please inform Beckhoff Service (see Chapter 10.1 [Service and Support](#) [► 52]).

4.2 Control cabinet installation

The C6032 Industrial PC is designed for mounting in control cabinets in machine and plant engineering applications. The environmental conditions specified for operation must be observed (see chapter 9 [Technical data](#) [▶ 51]).

Using different mounting plates, you can align the cable entry based on the application requirements.

Figure 17 shows the two available mounting plates: the standard mounting plate 1 and the optional mounting plate 2. In both cases, the plate is screwed to the right-hand side panel of the industrial PC with four Torx TX10 screws at a tightening torque of approx. 0.5 Nm. You can turn both mounting plates before fastening them such that the PC can be mounted in the desired orientation for the cable entry in the control cabinet (see Chapter 4.2.1 [Mounting options](#) [▶ 30]).

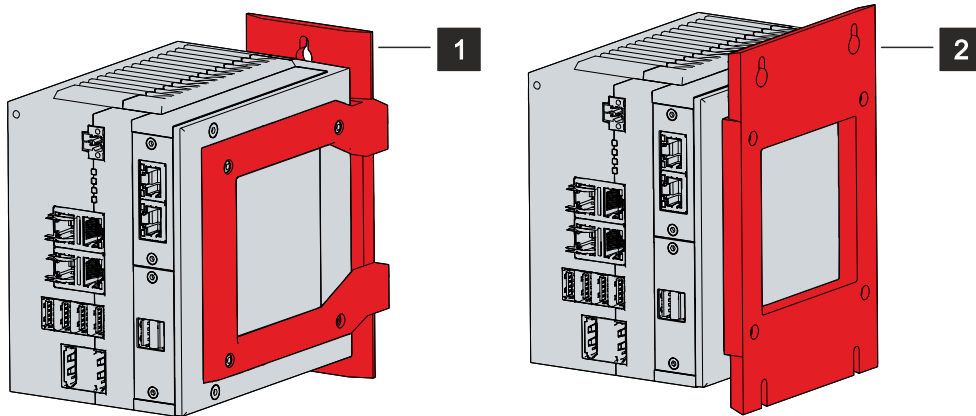


Fig. 17: Mounting plates

The basic version of the industrial PC is supplied with the standard mounting plate 1 already mounted as shown in Fig. 17. The scope of delivery does not include any further mounting plates. You can choose the following ordering options:

Table 27: Mounting plate ordering options

Order identifier	Design
C9900-M668	Mounting plate on the side wall, instead of the standard mounting plate
C9900-M669	Mounting plate for lateral mounting of the C603x, single part, not mounted

4.2.1 Mounting options

NOTICE

Incorrect installation

Mounting the device in a way that deviates from the documentation can impair its functionality.

- Mount the device only in the orientations shown in the documents.

Before attaching the mounting plates shown in Fig. 17 to the device, you have various options for aligning the device according to the desired cable entry. This results in various options for mounting the device in the control cabinet.

The following drawings show the possible mounting options.

With the standard mounting plate 1, you can mount the industrial PC in the control cabinet using the narrow sides. You have the following mounting options, which are shown in Fig. 18:

- Mounting via the rear panel of the device (A)
- Mounting via the top of the device (B)
- Mounting via the bottom of the device (C)

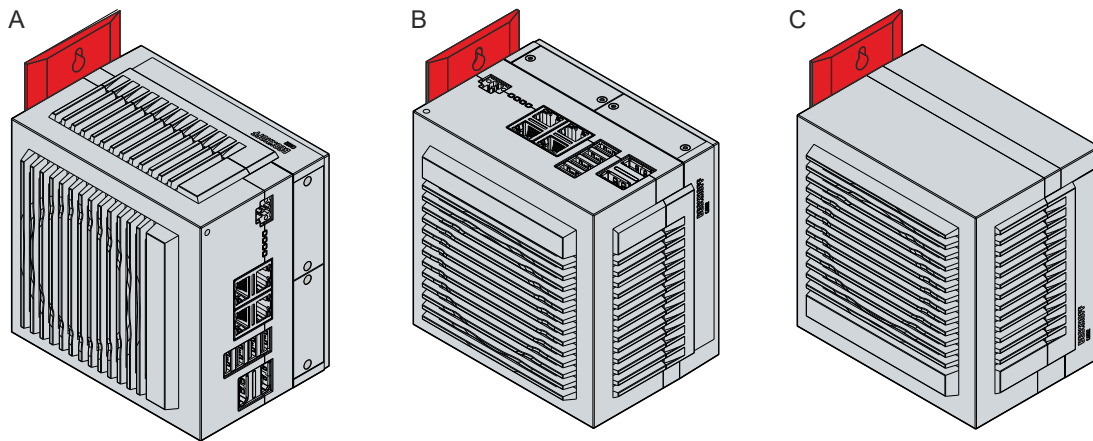


Fig. 18: Mounting options for mounting plate 1

With the optional mounting plate 2, you can mount the industrial PC only via the right-hand side panel. You can rotate the PC as required to align the connections in the control cabinet. You have the following mounting options, which are shown in Fig. 19:

- Connections point upwards (A)
- Connections point downwards (B)
- Connections point to the right (C)
- Connections point to the left (D)

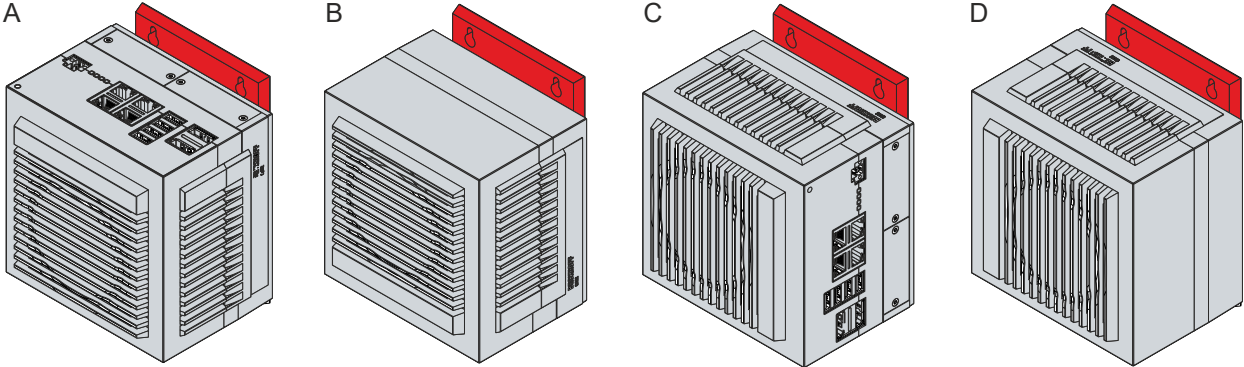


Fig. 19: Mounting options for mounting plate 2

4.2.2 Dimensions

The dimensions of the industrial PC and the mounting plates are used to prepare the control cabinet and to mount the device correctly in the control cabinet.

All dimensions are in mm.

Fig. 20 gives an example of the dimensions using the mounting option via the rear of the device with mounting plate 1.

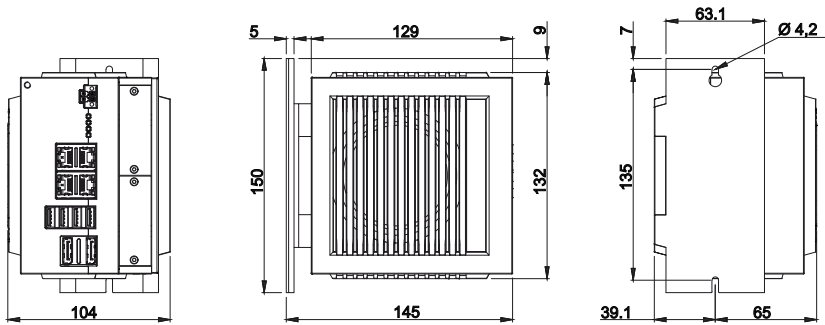


Fig. 20: Mounting plate, rear panel

Fig. 21 shows the dimensions using the mounting option with the connections pointing to the right with mounting plate 2 as an example.

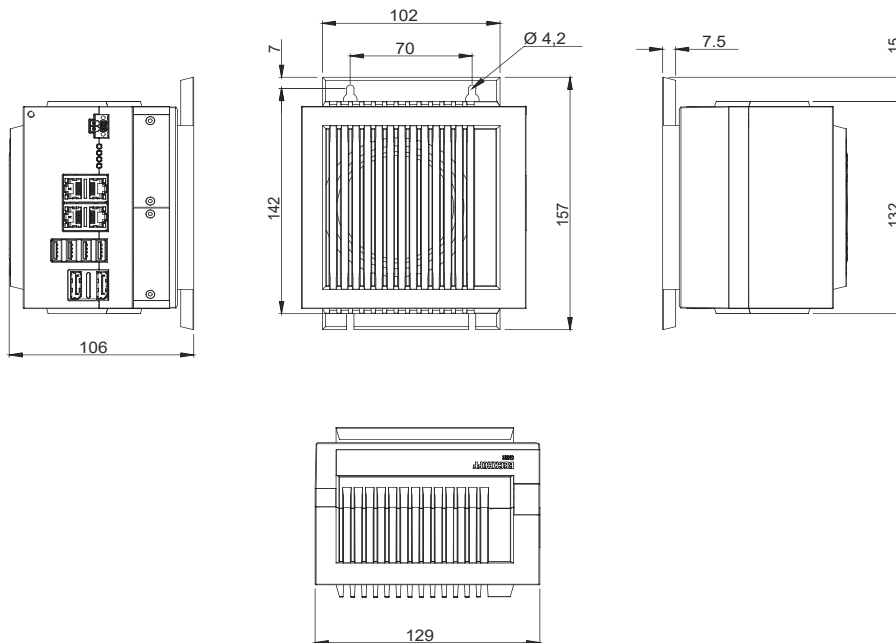


Fig. 21: Mounting plate, side panel

4.2.3 Installation in the control cabinet

NOTICE

Extreme environmental conditions

Extreme environmental conditions can cause damage to the device.

- Avoid extreme environmental conditions.
- Protect the device against dust, moisture and heat.
- Do not block the ventilation slots of the device.

When installing in the control cabinet, note that there must be 5 cm of free space around the device for air circulation.

Mounting via mounting plates

In order to mount the industrial PC with mounting plate 1 or 2 in the control cabinet, it must be furnished with the holes for the fastening screws according to the dimensions of the PC (see Chapter 4.2.2 [Dimensions](#) [► 32]). You need M4 screws for mounting.

After you have drilled the holes for the fastening screws in the control cabinet, you can mount the industrial PC in the control cabinet with mounting plates 1 or 2.

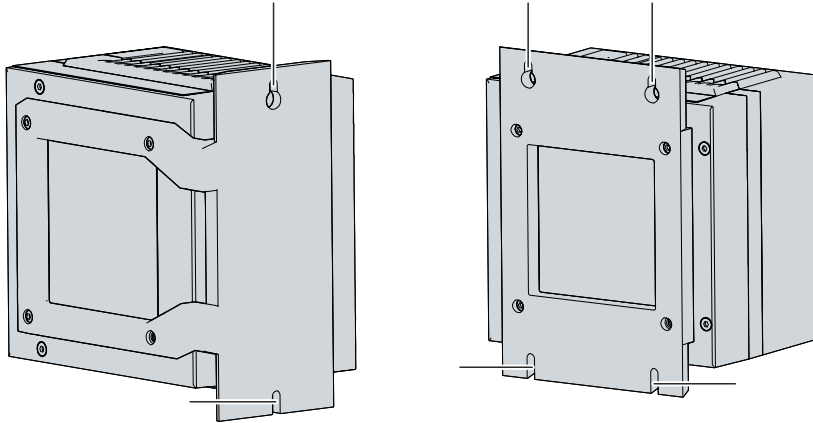


Fig. 22: Mounting plates for control cabinet installation

To install the industrial PC in the control cabinet, follow the steps below:

1. Place the fastening screws in the drill holes in the rear panel of the control cabinet.
 2. Hang the PC on the screws at the marked points of the mounting plate (see Fig. 22).
 3. Tighten the fastening screws.
- ⇒ You have successfully installed the industrial PC in the control cabinet.

4.3 Connecting the industrial PC

⚠ CAUTION

Risk of electric shock

Dangerous touch voltages can lead to electric shock. To avoid electric shock, observe the following:

- Never connect or disconnect the device cables during a thunderstorm.
- Provide protective earthing for handling the device.

To prepare the industrial PC for operation, it must be connected. The first step is to ground the device. Then you can connect the cables and the power supply.

An external power supply unit providing 24 V DC (-15 %/+20 %) from an isolated source is required for the power supply. This source must be protected by a UL 248 rated fuse with a maximum rating of 4 A.

The cabling of the industrial PC in the control cabinet must be done in accordance with the standard EN 60204-1:2006 PELV = Protective Extra Low Voltage:

- The PE conductor (protective earth) and the "0 V" conductor of the voltage source must be on the same potential (connected in the control cabinet).
- Standard EN 60204-1:2006, section 6.4.1:b stipulates that one side of the circuit, or a point of the energy source for this circuit must be connected to the protective conductor system.

Devices connected to the industrial PC with their own power supply must have the same potential for the PE and "0 V" conductors as the industrial PC (no potential difference).

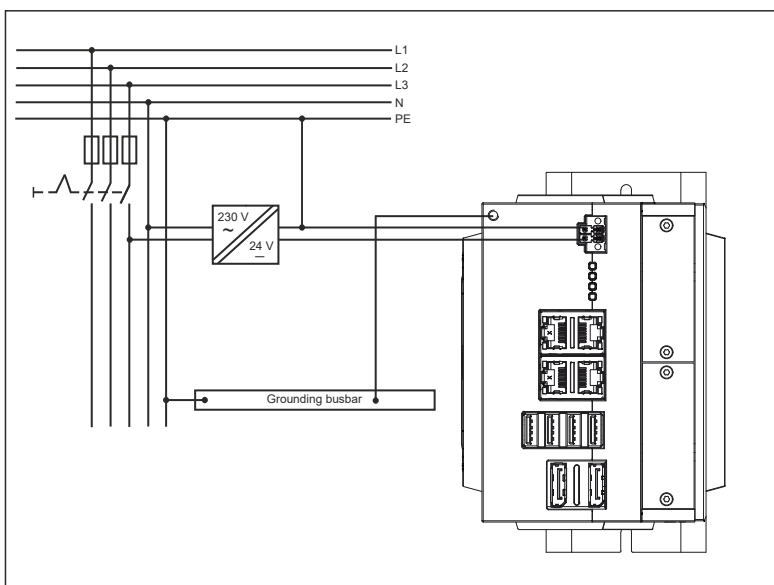


Fig. 23: Wiring example

4.3.1 Grounding of the Industrial PC

Potential differences are minimized and electrical currents are diverted to the ground through grounding or potential equalization of electronic devices. This is to prevent dangerous touch voltages and electromagnetic interference.

Protective earth

The protective grounding of a device serves to avoid dangerous touch voltages. According to the EN 60204-1 standard (Chapter 8 Potential equalization), protective grounding is required if:

- the device exceeds dimensions of 50 mm x 50 mm,
- the device can be touched or encompassed over a large area,
- contact between the device and active parts is possible,
- an insulation fault may occur.

Establish the low-resistance protective grounding via the PE protective conductor connection on the housing of the industrial PC (see also chapter 3.1 [Structure](#) [▶ 10]) and thus avoid dangerous touch voltages.

EMC

NOTICE

Hardware damage due to electromagnetic interference

Using the industrial PC without functional earthing can lead to hardware damage due to electromagnetic interference.

- Only use the device with functional earth.

Electromagnetic compatibility (EMC) of the industrial PC includes on the one hand not affecting other devices and equipment by electromagnetic interference and on the other hand not being disturbed by electrical or electromagnetic effects itself.

For this purpose, the industrial PC must comply with certain protection requirements. The industrial PC has EMC interference immunity according to EN 61000-6-2. The EMC interference emission of the device meets the requirements of EN 61000-6-4.

The functional earth is necessary for the EMC of the device. The functional earthing is also established via the earthing connection between the protective conductor connection on the device and the central grounding point of the control cabinet in which the PC is installed. Use wires with a cross-section of at least 4 mm² or a flat conductor for the ground connection, as the circumference of the conductor should be as large as possible.

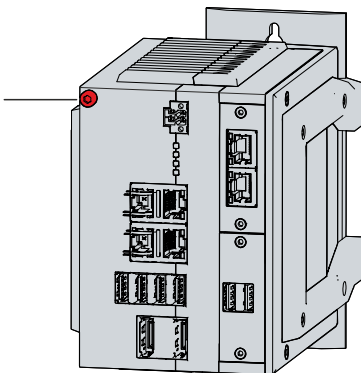


Fig. 24: Protective conductor connection PE

4.3.2 Connecting cables and power supply

NOTICE

Incorrect connection procedure

Incorrect procedure when connecting the cables and the power supply can cause hardware damage.

- Follow the documented procedure for connecting the cables and the power supply.
- Always connect all cables first and only then switch on the power supply.
- Please read the documentation for the external devices prior to connecting them.

Connecting cables

The connections are located in the front of the industrial PC and are documented in Chapter 3.2 [Interface description](#) [► 11].

Make sure that you first ground the PC (see chapter 4.3.1 [Grounding of the Industrial PC](#) [► 35]) and then plug in all data transmission cables.

Connecting the power supply

Cables with a maximum cable cross-section of 1.5 mm² can be used for connecting the power supply. For long supply lines, use 1.5 mm² cables to achieve a low voltage drop on the supply line. There should be at least 22 V at the voltage connector of the industrial PC, so that the PC remains switched on during voltage fluctuations.

Proceed as follows to connect the 24 V_{DC} power supply unit:

1. Install the voltage supply line on the voltage supply plug.
 2. Plug the power supply cable into the four-pin power supply socket of the industrial PC.
 3. Screw the power supply connector to the power supply socket of the industrial PC.
 4. Connect the PC to your external 24 V power supply.
 5. Switch on the 24 V power supply.
- ⇒ You have connected the power supply.

4.4 Switching the industrial PC on and off

NOTICE

Public networks

Connecting the PC to public networks without additional protective measures can compromise the safety of the device.

- Protect the PC before connecting it to public networks.

NOTICE

Data loss due to switching off the PC while the software is running

Switching off the PC before the running software is terminated and the operating system is shut down can lead to data loss.

- Quit the running software and shut down the operating system before switching off the PC.

The industrial PC is started or switched off when the system is switched on or off or when the power supply to the PC is connected or disconnected.

You can use the PC-ON input of the PC to control the startup and shutdown of the operating system. The PC-ON signal is inverted, which is why the operating system boots up at 0 V at the input and shuts down at 24 V. During operation, 0 V must therefore be permanently applied to the input. If you want to shut down the operating system, you must apply 24 V to the PC-ON input. Once the operating system has shut down, the PC power supply unit sets the Power Status output from 24 V to 0 V. This indicates that the shutdown is complete. You can then switch off the power supply. If you remove the 24 V from the PC-ON input before you have switched off the power supply, the operating system restarts. Therefore, 24 V must be applied to the PC-ON input until you have switched off the power supply.

To shut down the operating system properly, you can install an additional ON/OFF switch next to the machine's main switch to turn the machine on and off. The main switch can thus remain switched on in principle and thus ensures that the PC is still supplied with power during the shutdown of the operating system. Via the Power Status output, you can switch, for example, a contactor that switches off the entire system. The load capacity of the Power Status output is limited to max. 0.5 A. No fuse protection is required.

Driver installation

When you switch on the PC for the first time, the optionally pre-installed operating system will be started. For any additional hardware you have connected, you have to install the drivers yourself afterwards. In addition, the Beckhoff Device Manager starts automatically. The Device Manager is a software from Beckhoff that supports you in configuring the PC.

If you have ordered the PC without an operating system, you must install this and the driver software for the additional hardware you have connected and for the devices in the PC yourself. Please follow the instructions in the documentation for the operating system and the additional devices.

UPS software components

The UPS software components with the corresponding drivers must be installed on the PC to operate the power supply unit as a UPS. The software components and drivers are already installed on delivery of the PC with operating system. Otherwise, you have to install the installation package *Beckhoff UPS* yourself.

You can obtain the installation package from Beckhoff Service (service@beckhoff.com), who will provide you with the package. You then use the installation package to install the UPS software components. The UPS software components come with a detailed help function. Call up the help files either directly from the configuration register by clicking the Help button or start the file under *Start > Programs > Beckhoff > UPS software components*.

The communication between your PC and the UPS takes place via the BIOS API. In addition to the UPS driver, you also need the Beckhoff Automation Device Driver.

5 Beckhoff Device Manager

The Beckhoff Device Manager enables detailed system diagnostics with uniform secure access to the existing hardware and software components. System data is recorded, analyzed and evaluated during operation. The data helps to detect deviations at an early stage and prevent PC downtime.

The Beckhoff Device Manager always starts automatically after the industrial PC has been booted. In addition, you have the option of manually starting the previously closed Device Manager at any time.

The industrial PC is delivered with predefined access data as standard:

- User name: Administrator
- Password: 1

You also have the option of using the Beckhoff Device Manager to remotely configure the industrial PC via a web browser. More detailed information is available in the Beckhoff Device Manager [manual](#).

First start Beckhoff Device Manager

When your industrial PC is booted for the first time, the Beckhoff Device Manager also starts automatically for the first time. The Security Wizard opens. This tells you that you should reset the default password set by Beckhoff. Proceed as follows:

1. Click **Next** on the Security Wizard start page.
⇒ This will take you to the **Change Passwords** page:

Fig. 25: Beckhoff Device Manager - Change passwords

2. Enter the access data of the Device Manager on delivery.
3. Choose a secure new password. Instructions for choosing a secure password are given below.
4. Confirm the changes by clicking on the tick in the red box on the right.
5. Exit the Security Wizard.
⇒ You have reached the Device Manager start page.

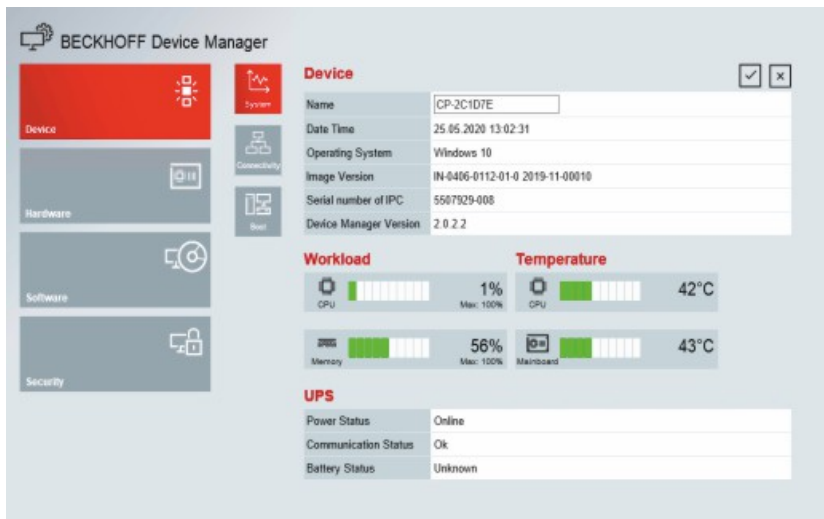


Fig. 26: Beckhoff Device Manager – Start page

Navigate forward in the menu and configure the industrial PC. Note that modifications only become active once they have been confirmed.

Manual start Beckhoff Device Manager

To start the Beckhoff Device Manager manually, proceed as follows:

1. Open a web browser locally on the industrial PC.
2. Enter *localhost/config* in the web browser to start the Beckhoff Device Manager.

The Beckhoff Device Manager starts. The Security Wizard appears.

Secure passwords

Strong passwords are an important prerequisite for a secure system.

Beckhoff supplies the device images with standard user names and standard passwords for the operating system. It is imperative that you change these.

Controllers are shipped without a password in the UEFI/BIOS setup. Beckhoff recommends assigning a password here as well.

Please note the following:

- Passwords should be unique for each user and service.
- Only change passwords after an incident in which passwords have become known without authorization.
- Train the device users in the use of passwords.

A secure password has the following characteristics:

- Password complexity: The password should contain capital and lower-case letters, numbers, punctuation marks and special characters.
- Password length: The password should be at least 10 characters long.

6 Decommissioning

NOTICE

Hardware damage due to power supply

A connected power supply can cause damage to the industrial PC during disassembly.

- Disconnect the power supply from the device before starting to disassemble it.

When taking the industrial PC out of operation, you must first disconnect the power supply and cables. You can then remove the device from the control cabinet.

If you do not want to continue using the industrial PC, Chapter 6.2 [Disassembly and disposal](#) [► 41] provides information on the correct disposal of the device.

6.1 Disconnecting the power supply and cables

⚠ CAUTION

Risk of electric shock

Disconnecting the industrial PC during a thunderstorm can lead to electric shock.

- Never disconnect the cables from the device during thunderstorms.

Before you remove the industrial PC from the control cabinet, you must disconnect the cables and the power supply. Follow the steps below:

1. Shut down the industrial PC.
2. Disconnect the PC from your external 24 V power supply.
3. Unscrew the four-pin power supply connector and pull it out of the PC.
4. Remove the power supply cable if the four-pin connector is to remain with the PC.
5. Make a note of the wiring of all data transmission cables if you want to restore the cabling with another device.
6. Disconnect all data transfer cables from the industrial PC.
7. Finally, disconnect the ground connection.

⇒ You have disconnected the cables and the power supply.

6.2 Disassembly and disposal

Before you can remove the industrial PC from the control cabinet, you must first disconnect the power supply and the cables (see chapter 6.1 [Disconnecting the power supply and cables](#) [▶ 40]).

Disassembly with mounting plates

To remove the industrial PC with the corresponding mounting plate 1 or 2 from the control cabinet, proceed as follows:

1. Loosen the fastening screws just enough so that they remain attached to the control cabinet.
2. Lift the PC far enough so that the fastening screws slip into the keyholes (see fig. 26).
3. Remove the PC from the control cabinet.

⇒ You have successfully disassembled the PC.

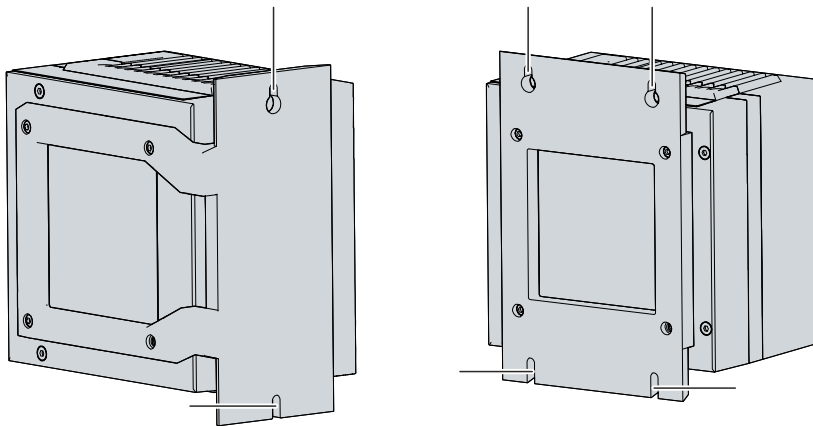


Fig. 27: Positions of the fastening screws

Disposal of the industrial PC

Be sure to observe the national electronic scrap regulations when disposing of the industrial PC.

In order to dispose of the device, it must be removed and fully dismantled. Dispose of the components in the following way:

- Send plastic parts (polycarbonate, polyamide (PA6.6)) for plastics recycling.
- Take metal parts to the metal recycling collection point.
- Electronic parts such as fans and circuit boards must be disposed of in accordance with national electronic scrap regulations.
- Stick insulating tape over the poles of the CR2032 battery on the motherboard and dispose of the battery via the local battery recycling.

7 Maintenance

⚠ CAUTION

Risk of electric shock

Working on the industrial PC while it is live can lead to electric shock.

- Turn off the supply voltage before cleaning the device or replacing device components. This does not apply to the replacement of hard disks and SSDs in a RAID configuration.

Maintenance measures increase the efficiency of the device by ensuring long-term functionality. Cleaning and maintenance of certain device components and the replacement of other device components contribute to this.

7.1 Cleaning

NOTICE

Unsuitable cleaning agents

The use of unsuitable cleaning agents can damage the device.

- Clean the device only as specified.

It is essential to observe the following aspects when cleaning the industrial PC:

- Keep to the boundary conditions of protection rating IP20.
- Only use a vacuum cleaner to clean the PC. The industrial PC does not have to be switched off for this.
- Never use compressed air to clean the PC.
- Maintain an ambient temperature range of 0 °C to +55 °C.

7.2 Maintenance

NOTICE

Use of incorrect spare parts

The use of spare parts not ordered from Beckhoff Service can lead to unsafe and faulty operation.

- Only use spare parts that you have ordered from Beckhoff Service.

Beckhoff industrial PCs are manufactured from components of the highest quality and robustness. They are selected and tested for best interoperability, long-term availability and reliable function under the specified environmental conditions.

Nevertheless, some components of the industrial PC may be subject to a limited service life if they are operated under certain conditions, such as more demanding ambient conditions during operation or during storage, or if they are out of service for long periods of storage.

Beckhoff therefore recommends replacing some of the industrial PC components after the time after which predictions of the remaining service life of such components can no longer be reliably calculated.

These are the following components:

- Battery
- Storage media
- Fan

The following table provides recommendations for the regular, precautionary replacement of the PC components:

Table 28: Replacement recommendations for PC components

Component	Recommendation for replacement intervals (years)
UPS battery pack	5 years
2.5-inch hard disk	5 years or after 20,000 operating hours at more than 40 °C or after 30,000 operating hours at less than 40 °C
3.5-inch hard disk	5 years, irrespective of the operating hours
Fan	7 years
Compact Flash, CFast or SSD	10 years
Motherboard battery	5 years

Beckhoff is excluded from liability in the event of possible damage occurring during maintenance work. Before working on the device, you should have established ESD protection to prevent damage to the device through electrostatic discharge.

ESD protection

NOTICE

Electrostatic discharge

The replacement of device components without ESD protection can lead to functional impairment and destruction of the device.

- If possible, apply ESD protection measures during maintenance work.

When working on electronic devices, there is a risk of damage due to ESD (electrostatic discharge), which can impair the function or destroy the device.

Protect the industrial PC and create an ESD-protected environment in which any electrostatic charges are discharged to the ground in a controlled manner and charging is prevented.

An ESD-protected environment can best be created by setting up ESD protection zones. The following measures serve this purpose:

- ESD-compliant floors with sufficient conductivity to the reference potential PE;
- ESD-compatible work surfaces such as tables and shelves;
- Wrist grounding strap, especially for sedentary activities;
- grounded and electrostatically dissipating equipment and operating materials (e.g. tools) within the ESD protection zone.

If it is not possible to create an ESD protection zone, you can still protect the device against ESD damage. For example, the following measures can be used:

- Use conductive mats connected to the ground potential as underlays.
- Dissipate possible charges from your own body by touching grounded metal (e.g. control cabinet door).
- Wear a wrist grounding strap.
- Only remove new electronic components from the ESD packaging (tinted plastic bag) after putting on the wrist grounding strap.
- Do not walk around with electronic components in your hand if they are not in ESD packaging.

Access to exchangeable device components

You can access the device components to be replaced via the cover on the right-hand side. In the first step you gain access to the battery and the storage media. To do this, remove the four Torx TX10 screws and remove the cover (see fig. 27).

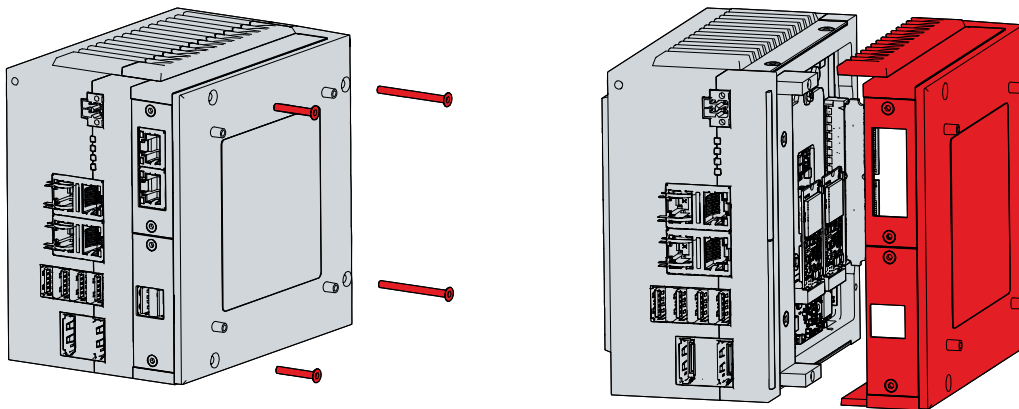


Fig. 28: Access to battery and storage media

You now have access to the battery (1) and storage medium (2) (see fig. 28).

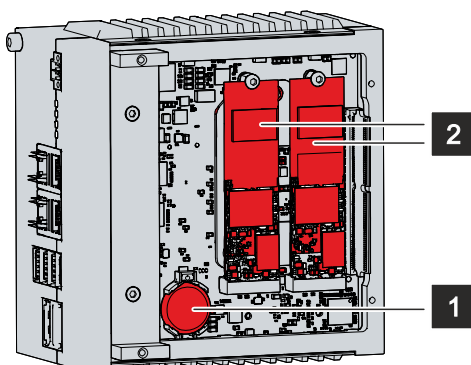


Fig. 29: Battery and storage media

7.2.1 Replacing the battery

NOTICE

Incorrect battery type

Replace the battery with R/C (BBCV2), order number CR2032, nominal voltage 3 V. Using any other battery may cause fire or explosion.

- Use exclusively the specified battery type.

NOTICE

Battery damage

Incorrect handling of the motherboard battery can damage it.

- Do not recharge the battery.
- Do not throw the battery on the fire.
- Do not open the battery.
- Protect the battery against direct sunlight and moisture.

NOTICE

Failure of the electronics due to mechanical damage

Scratches or damaged components on PCBs can cause the electronics to fail.

- Be very careful when replacing the battery and avoid mechanical damage to the electronics.

The industrial PC does not contain a lithium-ion battery. The motherboard battery is a CR2032 lithium-metal cell. It is used to supply power to the clock integrated on the motherboard. If the battery is depleted or missing, the date and time are displayed incorrectly.

Replacement batteries should only be obtained from Beckhoff Service (see Chapter 10.1 Service and support).

Table 29: Technical data of the battery

Battery type	Electrical properties (at 20 °C)		Dimensions		
	Nominal voltage	Nominal capacity	Diameter	Height	Weight
CR2032	3.0 V	225 mAh	20.0 mm	3.20 mm	3.1 g

Chapter 7.2 [Maintenance](#) [▶ 43] shows how to access the battery. When replacing the battery, make sure that the polarity is correct.

To change the battery, proceed as follows:

1. Place a lever made on the negative pole of the battery holder below the battery.
2. Lift the battery side out of the holder.
⇒ The battery is now in an oblique position (see fig. 29).

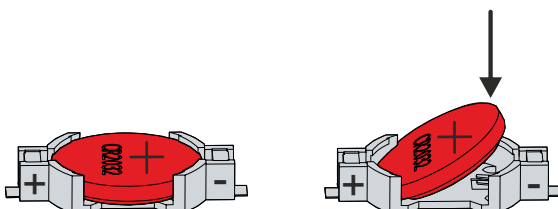


Fig. 30: Battery change

3. Remove the battery completely from the battery holder.
4. Insert the new battery with the correct polarity back into the inclined position on the positive pole of the battery holder. The correct polarity is shown in the figure.
5. Push the high side of the battery down into the battery holder (see fig. 29).

⇒ You have successfully replaced the battery.

To dispose of the battery, remove it, tape off the poles and put it in the battery disposal.

7.2.2 Replacing the storage media

For new storage media, please contact the Beckhoff Sales only. Hard disks from Beckhoff are optimized for industrial applications. SSDs have a considerably higher lifetime expectancy than commercially available SSDs.

The C6032 contains one or two M.2 SSDs.

Data transmission before replacement

If you want to exchange a storage medium according to Beckhoff's recommendation, you must copy the data from the old to the new storage medium. You can use the Beckhoff Service Tool (BST) for this purpose. BST is a graphical backup and restore program for PCs with a Windows operating system. You can create an image of your operating system and use it to back up the operating system. Then you can restore the created image to a new data carrier. The BST is available on a bootable BST USB flash drive. This includes Windows and a backup software. Select the size of the BST USB flash drive according to the size of the backup copy of your operating system. You can then keep the flash drive as a backup copy. For this purpose, the BST USB flash drives are designed for particularly long data preservation by means of special flash. For more information on the function of the BST, please refer to the corresponding [manual](#).

If your storage medium is defective and there is no backup, Beckhoff Service can provide you with a fresh Windows image. For this to be possible, the Beckhoff PC must already have been shipped with a valid operating system license. After installing the fresh image, the applications must be reinstalled.

If you have mirrored two SSDs in a RAID configuration and one of them has failed, you must first identify the faulty disk. You can check in the runtime of your operating system which SSD you have to replace, Port 0 or Port 1. Fig. 30 shows the position of Port 0 and Port 1 in the industrial PC. Please note the following:

- For the generation C6032-0060, diagram A in the figure applies.
- For the generations C6032-0070/-0080, diagram B in the figure applies.

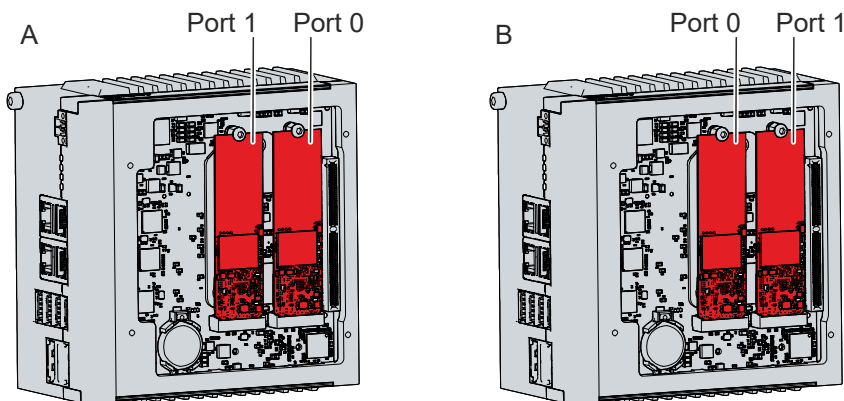


Fig. 31: Port assignment

Replacing the SSD

Chapter 7.2 [Maintenance](#) [▶ 43] shows how to access the SSD.

To replace the SSD, follow the steps shown below in Fig. 31:

1. Remove the Torx TX10 fastening screw of the SSD you want to remove (section A).
⇒ The SSD automatically places itself in an inclined position (section B).
2. Pull the SSD out of the slot in the inclined position (section C).

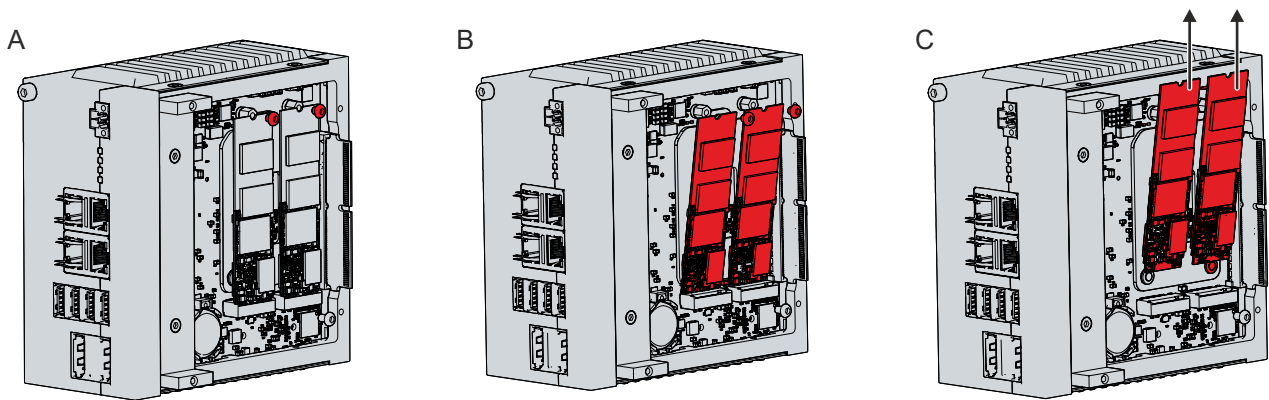


Fig. 32: Replacing the storage media

3. Insert the new SSD into the slot in the same inclined position.
 4. Push down the protruding side of the SSD.
 5. Replace the fixing screw and tighten it to a tightening torque of approx. 0.3 Nm.
- ⇒ You have replaced the SSD.

The old SSD must be disposed of in accordance with the national electronic scrap regulations.

Also see about this

- 📖 Service and support [▶ 52]

7.2.3 Replacing the fan

NOTICE

Incorrect fan type

The industrial PC may be damaged if the wrong type of fan is installed.

- Only replace the fans with replacement fans from Beckhoff Service.

Fans ensure optimum cooling of the industrial PC. Order replacement fans only from Beckhoff. Please get in touch with your Beckhoff sales contact.

Before you can access the fan, you must remove the side cover. Follow the instructions in Chapter 7.2 Maintenance [► 43].

To replace the fan, follow the steps below as shown in Figure 32:

1. Remove the four Torx TX10 screws at the top and bottom of the industrial PC (section A).
2. Remove the fan housing (section B).
3. Remove the two Torx screws to detach the fan from the fan plate (section C).

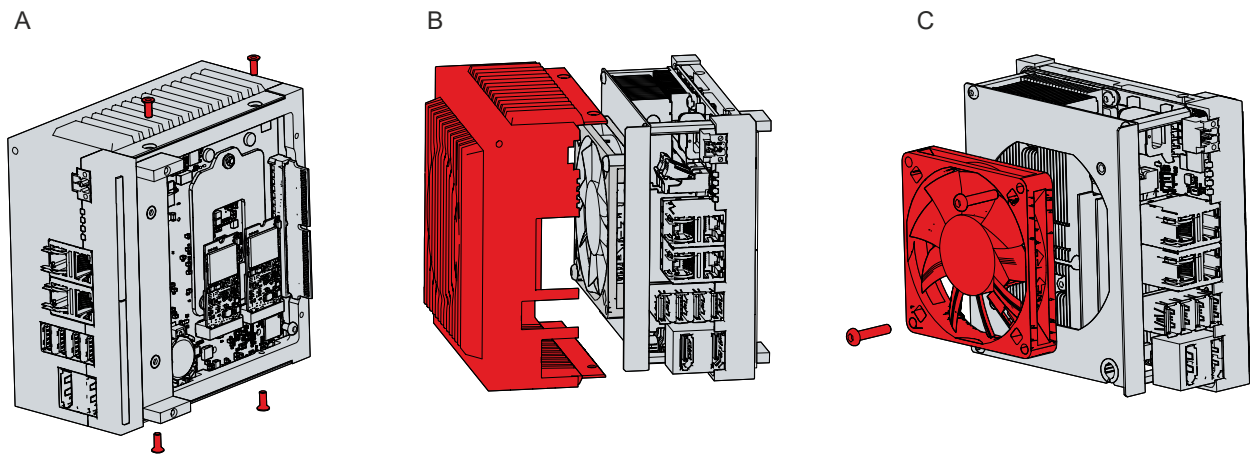


Fig. 33: Fan access

4. Disconnect the fan power cable from the motherboard and pull it out of the cable sleeve.
⇒ You can now replace the fan.
5. Pull the supply cable of the new fan through the cable sleeve and plug it into the motherboard.
6. Attach the fan to the fan plate with the two Torx screws and a tightening torque of approx. 0.5 Nm.
⇒ You have successfully replaced the fan.

The old fan must be disposed of in accordance with the national electronic waste regulations.

Also see about this

- Service and support [► 52]

8 Troubleshooting

Fault	Cause	Measures
No function of the industrial PC	Missing power supply of the industrial PC Other cause	Check the power supply cable Call Beckhoff Service
The industrial PC does not boot fully	BIOS setup settings are incorrect Other causes	Check BIOS setup settings (load defaults) Call Beckhoff Service
Industrial PC boots, software starts, but the controller does not work properly	Cause of the fault is either in the software or in parts of the plant outside the industrial PC	Call the machine and software manufacturer
USB error during access with TwinCAT via USB	Cycle times in TwinCAT set to 10 ms (default)	Increase the cycle times to between 50 ms and 80 ms

9 Technical data

Table 30: Technical data

Product designation	C6032
Dimensions (W x H x D)	132 x 133 x 102 mm, without mounting plate
Weight	approx. 2100 g without mounting plate approx. 2350 g with mounting plate
Supply voltage	22-30 V _{DC} (24 V _{DC} power supply unit)
Power consumption	Data sheet for calculating power consumption and power loss in the download finder - Data sheets: http://www.beckhoff.com/downloadfinder
Protection rating	IP20
Vibration resistance (sinusoidal vibration)	EN 60068-2-6: 10 to 58 Hz: 0.035 mm 58 to 500 Hz: 0.5 G (approx. 5 m/s ²)
Shock resistance (shock)	EN 60068-2-27: 5 G (approx. 50 m/s ²), duration: 30 ms
EMC interference immunity	conforms to EN 61000-6-2
EMC interference emission	conforms to EN 61000-6-4
Permissible ambient temperature	0 °C to +55 °C (operation) -25 °C...+65 °C (transport / storage)
Permissible air humidity	Maximum 95 %, no condensation
Transport and storage	The same values for air humidity and shock resistance are to be observed during transport and storage as in operation. The shock resistance during transport can be improved by means of suitably packing the industrial PC.

10 Appendix

In the appendix you will find information for servicing and details of the approvals that your device has.

10.1 Service and support

Beckhoff and its worldwide branch offices offer comprehensive service and support, providing fast and competent assistance with all issues relating to Beckhoff products and system solutions.

Beckhoff Service

The Beckhoff Service Center supports you in all matters of after-sales service:

- on-site service
- repair service
- spare parts service
- hotline service

Hotline: + 49 5246/963-460
email: service@beckhoff.com

If your device requires service, please indicate the serial number, which you can find on the name plate.

Beckhoff Support

Support offers you comprehensive technical assistance, helping you not only with the application of individual Beckhoff products, but also with other, wide-ranging services:

- World-wide support
- Design, programming and commissioning of sophisticated automation systems
- extensive training program for Beckhoff system components

Hotline: + 49 5246/963-157
email: support@beckhoff.com

Headquarters

Beckhoff Automation GmbH & Co. KG
Hülshorstweg 20
33415 Verl
Germany

Phone: + 49 5246/963-0
email: info@beckhoff.de

The addresses of the worldwide Beckhoff branches and agencies can be found on our website at <http://www.beckhoff.com/>.

You will also find further documentation for Beckhoff components there.

10.2 Approvals

Your device has at least the following approvals:

- CE
- EAC
- UKCA
- FCC

You will find all other applicable approvals on the name plate of your device.

FCC approvals for the United States of America

FCC: Federal Communications Commission Radio Frequency Interference Statement

This device was tested and complies with the limits for a digital device of class A, according part 15 of the FCC regulations. These limits are designed to provide adequate protection against adverse interference, if the device is used in a commercial environment. This device generates, uses and may emit radio frequency energy and may cause adverse interference with radio communications, if it is not installed and used in accordance with the operating instructions. If this device is used in a residential area it is likely to cause adverse interference, in which case the user must take appropriate countermeasures in order to eliminate the interference at his own expense.

FCC approvals for Canada

FCC: Canadian Notice

This device does not exceed the class A limits for radiation, as specified by the Radio Interference Regulations of the Canadian Department of Communications.

List of figures

Fig. 1	Structure – basic configuration.....	10
Fig. 2	Voltage socket pin numbering.....	11
Fig. 3	Ethernet interface pin numbering.....	12
Fig. 4	USB interface pin numbering.....	14
Fig. 5	DisplayPort pin numbering.....	15
Fig. 6	USB interfaces pin numbering.....	16
Fig. 7	Ethernet interface pin numbering.....	17
Fig. 8	RS232 pin numbering.....	19
Fig. 9	RS422 pin numbering.....	20
Fig. 10	RS485 pin numbering.....	21
Fig. 11	CP-Link 4.....	22
Fig. 12	CP-Link 4 pin numbering.....	22
Fig. 13	CP-Link 4, CU8802.....	23
Fig. 14	CP-Link 4, CU8803.....	24
Fig. 15	Status LEDs.....	24
Fig. 16	Name plate.....	27
Fig. 17	Mounting plates.....	29
Fig. 18	Mounting options for mounting plate 1.....	30
Fig. 19	Mounting options for mounting plate 2.....	31
Fig. 20	Mounting plate, rear panel.....	32
Fig. 21	Mounting plate, side panel.....	32
Fig. 22	Mounting plates for control cabinet installation.....	33
Fig. 23	Wiring example.....	34
Fig. 24	Protective conductor connection PE.....	35
Fig. 25	Beckhoff Device Manager - Change passwords.....	38
Fig. 26	Beckhoff Device Manager – Start page.....	39
Fig. 27	Positions of the fastening screws.....	41
Fig. 28	Access to battery and storage media.....	44
Fig. 29	Battery and storage media.....	44
Fig. 30	Battery change.....	45
Fig. 31	Port assignment.....	47
Fig. 32	Replacing the storage media.....	48
Fig. 33	Fan access.....	49

List of tables

Table 1	Legend - C6032 structure	10
Table 2	Voltage socket pin assignment	11
Table 3	Controller classification based on device generation	12
Table 4	Ethernet interface pin assignment.....	12
Table 5	LED meaning speed 100/1000 Mbit/s	13
Table 6	LED meaning speed 100/1000/2500 Mbit/s	13
Table 7	USB interfaces based on device generation	14
Table 8	USB interface pin assignment.....	14
Table 9	Pin assignment of DisplayPort	15
Table 10	USB interface pin assignment.....	16
Table 11	Ordering options Ethernet PCIe compact modules	17
Table 12	Controller assignment Module options.....	17
Table 13	Ethernet interface pin assignment.....	17
Table 14	LED meaning speed 100/1000 Mbit/s	18
Table 15	LED meaning speed 100/1000/2500 Mbit/s	18
Table 16	RS232 pin assignment	19
Table 17	RS422 pin assignment	20
Table 18	RS422 standard configuration.....	20
Table 19	RS485 pin assignment	21
Table 20	RS485 standard configuration.....	21
Table 21	CP-Link 4 pin assignment	22
Table 22	Meaning of the UPS-OCT LED	25
Table 23	Meaning of the PWR LED	25
Table 24	Meaning of the HDD LED.....	25
Table 25	Meaning of the TC LED.....	26
Table 26	Legend C6032 name plate.....	27
Table 27	Mounting plate ordering options.....	29
Table 28	Replacement recommendations for PC components.....	43
Table 29	Technical data of the battery	45
Table 30	Technical data.....	51

More Information:
www.beckhoff.com/C6032

Beckhoff Automation GmbH & Co. KG
Hülshorstweg 20
33415 Verl
Germany
Phone: +49 5246 9630
info@beckhoff.com
www.beckhoff.com

